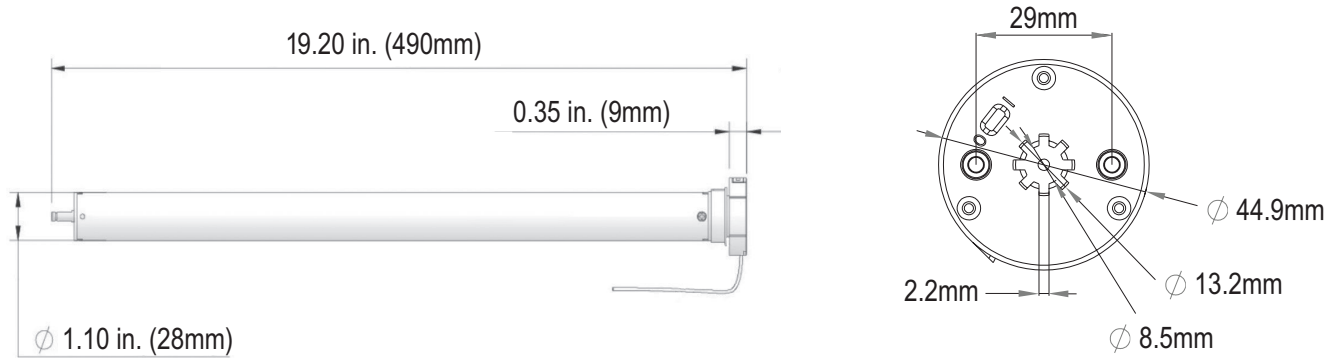


DIMENSIONS



SPECIFICATIONS

Model	BLISS 2.0 DC
Torque	2.0Nm
Speed	28rpm (adjustable to 20 or 24)
Motor Size (L x W x H)	490mm*28mm*28mm
Voltage	12V DC
Current	1.60A
Power	19W
IP Class	IP20
Insulation Grade	A

Battery Model / Type	External Battery Pack (PN: 62203300)
Battery Capacity	2600mAh
Working temp	32°F to 140°F (0°C to 60°C)
RF Modulation	FSK
Radio Frequency	433.92 MHz
Max Running Circles	6 Minutes
Limit Switch Type	Electronic
Sound Level	44dB
Net Weight	1.32Lbs

FEATURES AND BENEFITS

- External battery for headrail
- Solar charging
- Bi-directional
- App compatible
- Electronic limit
- Slow jog & tilt mode
- Leveling control
- Favorite position
- Adjustable RPM

APPLICATIONS

- Dual Shades
- Natural Woven Shades (US)
- Roller Shades