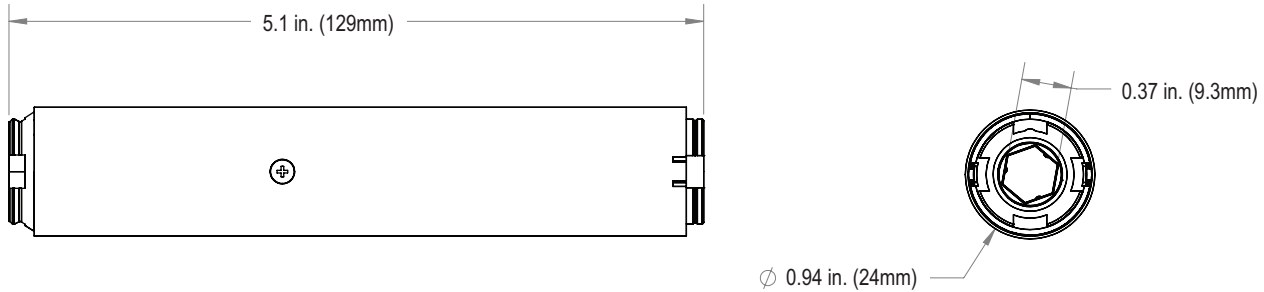


DIMENSIONS



SPECIFICATIONS

Model	BLISS LIFT TDBU 0.6 LI-ION
Torque	0.6Nm
Speed	50rpm (adjustable to 34 or 40)
Motor Size (L x W x H)	129mm*24mm*24mm
Voltage	8.4V DC
Current	1A
Power	8.4W
IP Class	IP20
Insulation Grade	A

Battery Model / Type	External Battery Pack (PN: 62203100)
Battery Capacity	2200mAh
Working temp	32°F to 140°F (0°C to 60°C)
RF Modulation	FSK
Radio Frequency	433.92 MHz
Max Running Circles	6 Minutes
Limit Switch Type	Electronic
Sound Level	48dB
Net Weight	0.28Lbs

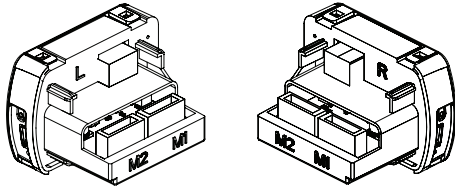
FEATURES AND BENEFITS

- External battery inside headrail
- Solar charging
- Bi-directional
- App compatible
- Electronic limit
- Slow jog & tilt mode
- Leveling control
- Favorite position
- Adjustable RPM

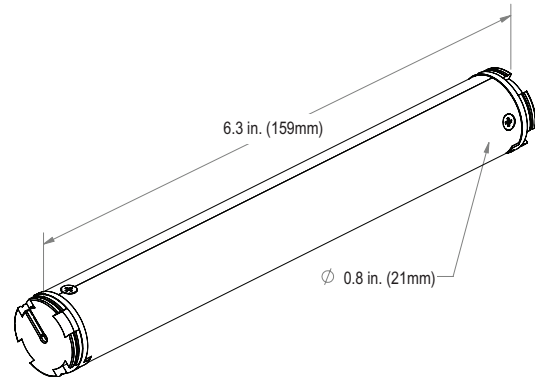
APPLICATIONS

- Honeycomb / Cellular Bottom Up
- Honeycomb / Cellular TDBU (US)
- Honeycomb / Cellular Two-Fabric Combination
- Honeycomb / Cellular TriLight (US)

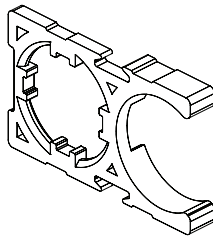
SYSTEM OVERVIEW



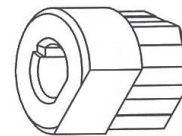
End Cap with RF Controller
Part # 62009100 (RH); 62009200 (LH)



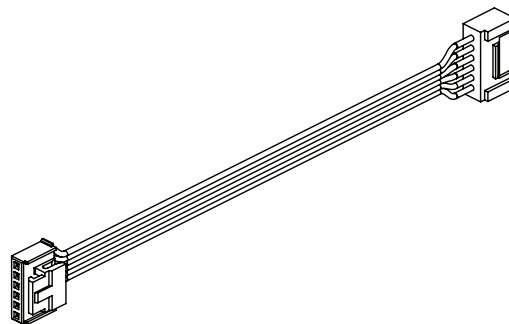
BLISS Internal LI-ION Battery
Part # 62203100



Headrail Adapter
Part # 62321100



V Rod Adapter
PART # 62322000



Cables from RF Controller to Motor 1
Part # 62208000 (2.7 in.)

Cables from RF Controller to Motor 2
Part # 62208100 (2.9 FT); 62208400; (4.6 FT);
62208200 (6.5 FT); 62208500 (8.2 FT) 62208300 (12.1 FT)