

// Product Components Guide



ALTA
WINDOW FASHIONS
design simplified

WOOD
BLINDS

Revised 11/1/22

SUMMARY OF REVISIONS

11/1/22 Revisions

Page 9 Changed 2.5" Wand Tilt Stem pcn from 10320206 to 1030206

7/1/22 Revisions

Page 2 updated image of Cord Tilter and Cordlock Separator

Page 3 updated PCN for Cord Tilter and Cordlock Separator

Page 6 updated image of Cord Tilter

Page 7 updated PCN for Cord Tilter

Page 9 updated Cordless XL Wand CC Chart

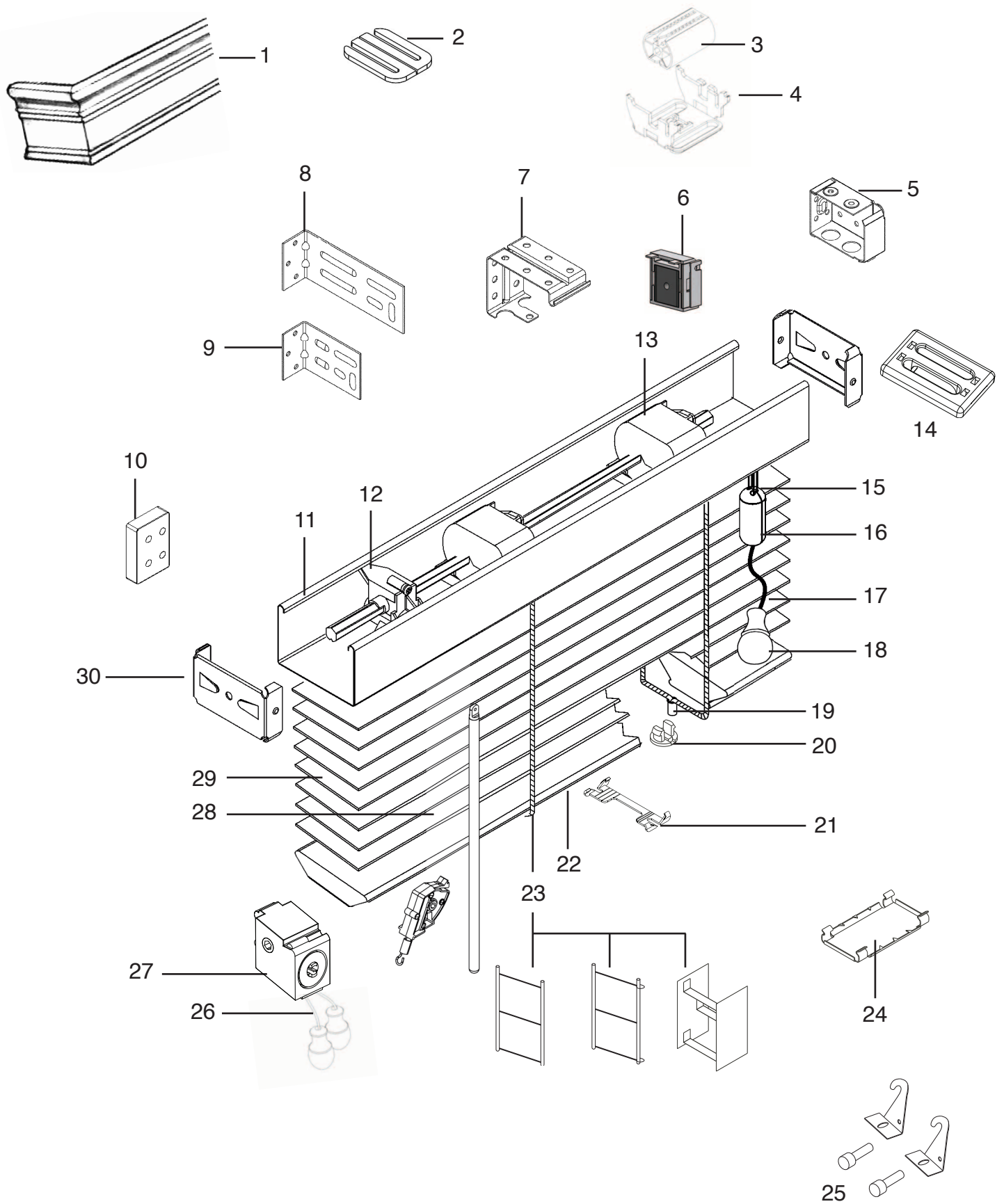
Page 10 updated CC Wand Chart

TABLE OF CONTENTS

Product and Specifications

- Product Components - Standard Rectangular. 2-3
- Product Components - Cordless Lift System 4-5
- Product Components - Cordless Lift & Lock™ System. 6-7
- Product Components - Cordless XL System. 8-9
- CC Wand Chart. 10

PRODUCT COMPONENTS – STANDARD RECTANGULAR



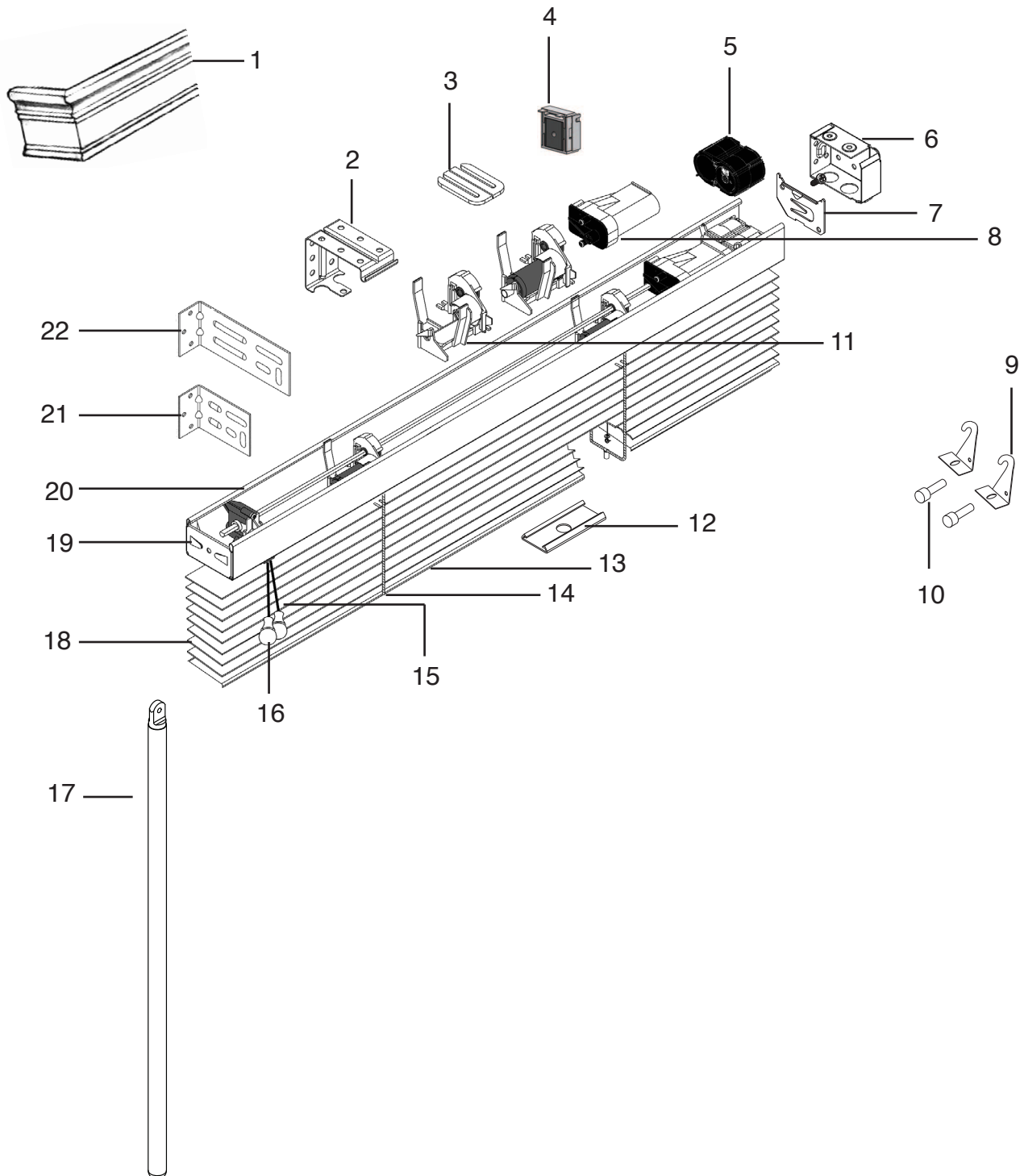
*NOTE: 1 Center Support Bracket required for blind sizes 48-1/8" to 60" and 2 brackets required for blind sizes 60-1/8" and over.

PRODUCT COMPONENTS – STANDARD RECTANGULAR

1. Valance
2. Bracket Shim
2 Pack (Part #KIT-SHIM-2PK)
3 Pack (Part #KIT-SHIM-3PK)
3. Deco Tape Drum (Part #1029364)
4. Deco Tape Drum Support (Part #1029365)
5. Installation Bracket (Part #KIT-8COLOR)
6. Magnetic Valance Clip
2 Pack (Part #KIT-MAGCLIP-2PK)
3 Pack (Part #KIT-MAGCLIP-3PK)
7. Center Support Bracket
1 Pack (Part #KIT-INTSUP-1PK)
2 Pack (Part #KIT-INTSUP-2PK)
(Not required on every blind)
8. 5-7/8" Long Extension Brackets
2 Pack (Part #KIT4382)
3 Pack (Part #KIT4383)
(Not required on every blind)
9. 3-7/8" Short Extension Brackets
2 Pack (Part #KIT4380)
3 Pack (Part #KIT4381)
(Not required on every blind)
10. Spacer Blocks
3/8" Spacer Block
2 Pack (Part #KIT-38BLOCK-2PK)
3 Pack (Part #KIT-38BLOCK-3PK)
3/4" Spacer Block
2 Pack (Part #KIT-BLOCK-2PK)
3 Pack (Part #KIT-BLOCK-3PK)
11. Slim Design Headrail
12. Wand Tilter
2" (Part #1029366)
2.5" (Part #1030638)
13. Tape Drum
(Part #1029361) Traditional/Lightsout Feature
(Part #1029364) Decorative
14. Cord Lock Assembly (Part #L-CK-U1)
Cordlock Separator (Part # 1035511)
15. Lift Cords
16. Break-Away Stop Ball (Part #7007736COLOR)
17. D-22 Pull Cord
18. Wood Tassel (Part #17-90-1COLOR)
19. Brass Eyelet Ladder Crimp (Part #12-70-9002)
20. Tape Buttons (Part #7004034-COLOR)
21. 2" Top Slat Clip (Part #7007074000S)
2-3/8" Top Slat Clip (Part #WSCLIP-P)
22. Bottomrail
23. Braided Ladder
No Loop Cable Tape (Standard)
Single Loop Cable Tape (LightsOut)
Solid or Decorative Tape Ladder
24. Bottomrail Tape Retainer
(Not required on every blind)
25. Hold-down Bracket Set
White (Part #KIT-HOLDBRKTWT)
Zinc (Part #2KIT-HOLDBRKTZC)
Hold-down Pin (Part #12-70-3009)
(Not required on every blind)
26. Tilt Cord
NOTE: Specify cord color if needed
27. Cord Tilter (Part #5003875000)
28. Tilt Wands
See page 10 for options

Clear Wands
60" - (Part#1030286)
72" - (Part#1030287)
84" - (Part#1030288)
29. Wood Slat
30. End Lock End Stiffener (Part #5003655000S)

CONTROL CHARTS – CORDLESS LIFT SYSTEM

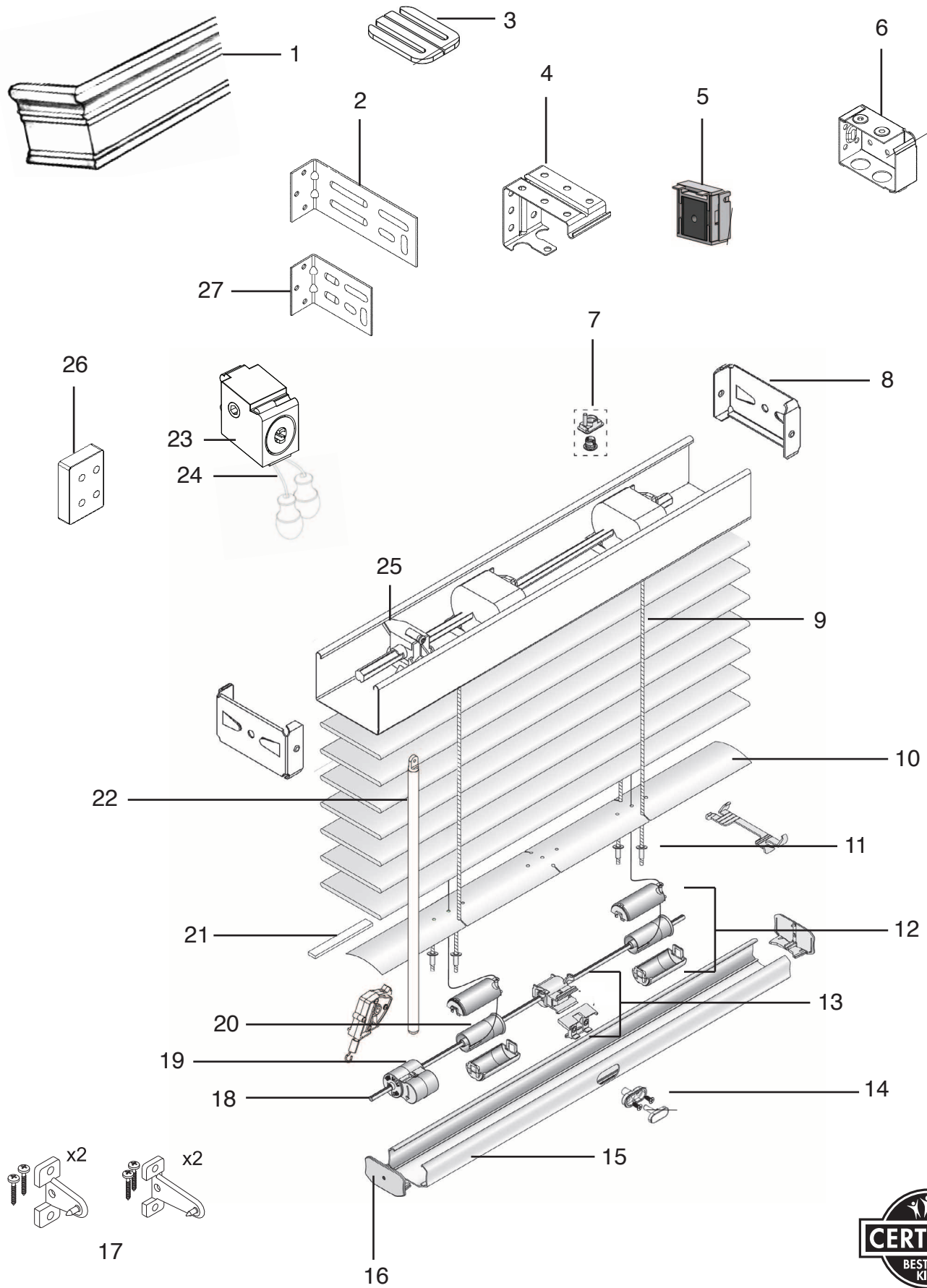


PRODUCT COMPONENTS – CORDLESS LIFT SYSTEM

1. Valance
2. Center Support Bracket
1 Pack (Part #KIT-INTSUP-1PK)
2 Pack (Part #KIT-INTSUP-2PK)
(Not required on every blind)
3. Bracket Shim
2 Pack (Part #KIT-SHIM-2PK)
3 Pack (Part #KIT-SHIM-3PK)
(Not required on every blind)
4. Magnetic Valance Clip
2 Pack (Part #KIT-MAGCLIP-2PK)
3 Pack (Part #KIT-MAGCLIP-3PK)
5. Motor Set
Gray (Part #7300119000)
Beige (Part #7300118000)
Black (Part #7300120000)
White (Part #7300117000)
Red (Part #7300187000)
6. Installation Bracket (Part #KIT-8COLOR)
7. Metal Clamp (Part #7300139000)
8. Pre-installed Cordless Transmission
Clear (Part #7300185001)
Beige (Part #7300221001)
9. Hold-down Bracket Set
White (Part #KIT-HOLDBRKTWT)
Zinc (Part #KIT-HOLDBRKTZC)
(Not required on every blind)
10. Hold-down Pin (Part #12-70-3009)
11. Lift and Tilt Roll Assembly
12. Handle (Part #7300134000)
13. Bottomrail
14. Braided Ladder
15. Tilt Cords **NOTE:** Specify cord color if needed.
16. Wood Tassels (Part #17-90-1COLOR)
17. Tilt Wands
See page 10 for options

Clear Wands
60" - (Part#1030286)
72" - (Part#1030287)
84" - (Part#1030288)
18. Wood Slat
19. End Stiffener (Part #5003655000S)
20. Slim Design Headrail
21. Short Extension Brackets
2 Pack (Part #KIT4380)
3 Pack (Part #KIT4381)
(Not required on every blind)
22. Long Extension Brackets
2 Pack (Part #KIT4382)
3 Pack (Part #KIT4383)
(Not required on every blind)

PRODUCT COMPONENTS – CORDLESS LIFT & LOCK™ SYSTEM



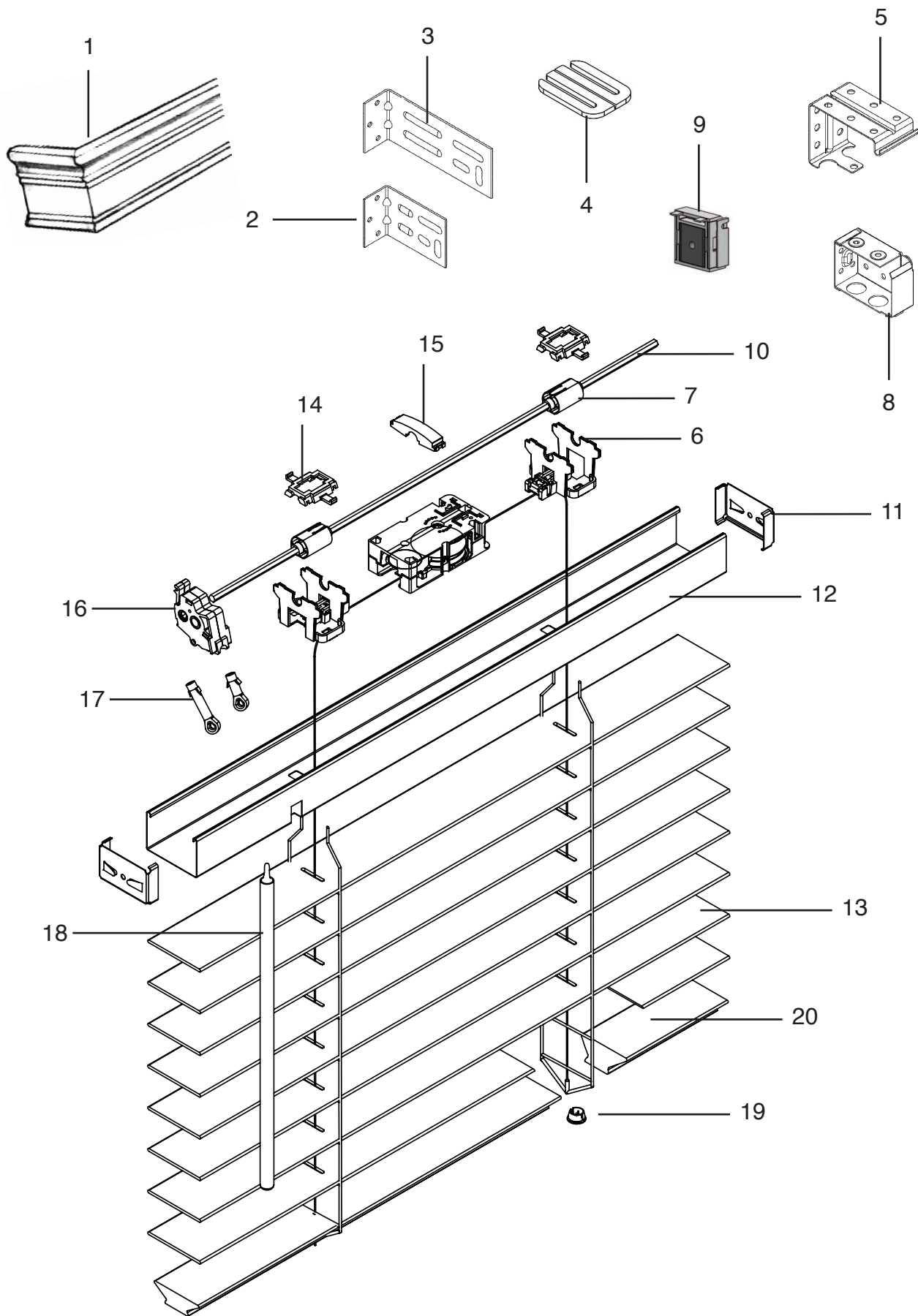
*when ordered with wand tilt

PRODUCT COMPONENTS – CORDLESS LIFT & LOCK™ SYSTEM

1. Valance
2. 5-7/8" Long Extension Brackets
2 Pack (Part #KIT4382)
3 Pack (Part #KIT4383)
(Not required on every blind)
3. Bracket Shim
2 Pack (Part #KIT-SHIM-2PK)
3 Pack (Part #KIT-SHIM-3PK)
4. Center Support Bracket
1 Pack (Part #KIT-INTSUP-1PK)
2 Pack (Part #KIT-INTSUP-2PK)
5. Magnetic Valance Clip
2 Pack (Part #KIT-MAGCLIP-2PK)
3 Pack (Part #KIT-MAGCLIP-3PK)
6. Installation Bracket (Part #KIT-8COLOR)
7. Cord Skew Adjuster
8. End Stiffener (Part #5003655000S)
9. No Loop Cable Tape
10. 2" Aluminum Slat
11. 2" Cable Tape Grommet (Part #12-70-9002)
12. Support and Cover Set
13. 2" Lock Assembly (Part #7300404000)
14. Lift & Lock Button Set
15. Lift & Lock Bottomrail
16. Lift & Lock Bottomrail End Cap (See Bottomrail Color Chart)
17. 2" Lift & Lock Hold Down Brackets
Sill - 3/8" (Part #KIT2009)
Jamb - 3/4" (Part #KIT2010)
18. "V" Tiltrod
19. Lift & Lock Motor
(Part #7300402000 Beige)
(Part #7300401000 Black)
20. Lift & Lock Lift Spool
21. Foam Tape
22. Tilt Wands
See page 10 for options

Clear Wands
60" - (Part#1030286)
72" - (Part#1030287)
84" - (Part#1030288)
23. Cord Tilter (Beige)(Part #5003875000)
24. Tilt Cord **NOTE:** Specify cord color if needed.
25. Wand Tilter
2" (Part#1029366)
2.5" (Part#1030638)
26. Spacer Blocks
3/8" Spacer Block
2 Pack (Part #KIT-38BLOCK-2PK)
3 Pack (Part #KIT-38BLOCK-3PK)
3/4" Spacer Block
2 Pack (Part #KIT-BLOCK-2PK)
3 Pack (Part #KIT-BLOCK-3PK)
27. 3-7/8" Short Extension Brackets
2 Pack (Part #KIT4380)
3 Pack (Part #KIT4381)
(Not required on every blind)

PRODUCT COMPONENTS – CORDLESS XL SYSTEM



PRODUCT COMPONENTS – CORDLESS XL SYSTEM

- | | |
|---|---|
| <p>1. Valance</p> <p>2. 3-7/8" Short Extension Brackets
2 Pack (Part #KIT4380)
3 Pack (Part #KIT4381)
(Not required on every blind)</p> <p>3. 5-7/8" Long Extension Brackets
2 Pack (Part #KIT4382)
3 Pack (Part #KIT4383)
(Not required on every blind)</p> <p>4. Bracket Shim
2 Pack (Part #KIT-SHIM-2PK)
3 Pack (Part #KIT-SHIM-3PK)
(not required on every blind)</p> <p>5. Center Support Bracket*
1 Pack (Part #KIT-INTSUP-1PK)
2 Pack (Part #KIT-INTSUP-2PK)
(not required on every blind)</p> <p>6. Drum Support
(Part # 1030196) with steal pin
(Part # 1030197) without steal pin</p> <p>7. Tape Roll
(Part # 1030198)</p> <p>8. Installation Bracket (Part #KIT-8-COLOR)</p> <p>9. Magnetic Valance Clip
2 Pack (Part #KIT-MAGCLIP-2PK)
3 Pack (Part #KIT-MAGCLIP-3PK)</p> <p>10. Tilt Rod</p> <p>11. End Lock End Stiffener (Part #5003655000S)</p> <p>12. Headrail</p> <p>13. Wood Slat</p> <p>14. Ladder Stopper
(Part # 1030199)</p> <p>15. Motor Plate Press
(Part # 1030202)</p> <p>16. Wand Tilter
(Part # 1030195)</p> <p>17. Wand Tilt Stem
2" (Part # 1030205)
2.5" (Part # 1030206)</p> <p>18. Plastic Wand
See Options Below</p> | <p>19. Tape Buttons (Part #7004034-COLOR)</p> <p>20. Trapezoid Bottomrail</p> |
|---|---|

Core Color Name and Number		Cordless XL Wand Color	Wand Size / PCN				
			12"	20"	24"	36"	48"
282 Milky White	284 Neuvo White	026	1029585	1029586	1029587	1029588	1029589
026 Pure White	013 Snowflake						
300 Sugar		302	1030150	1030151	1030152	1030153	1030154
401 Ashen	601 Hidden Gray						
600 Pleasant Dream	806 Tinsmith						
900 Washed Birch		812	1030140	1030141	1030142	1030143	1030144
803 Front Porch	296 Snow White						
012 Winter White	316 Barn Door	823	1030175	1030176	1030177	1030178	1030179
287 Amber							
315 Eastern Cherry	125 Mahogany	125	1030155	1030156	1030157	1030158	1030159
295 Dark Mocha							
400 Inkwell	318 Stewart Pecan	124	1030170	1030171	1030172	1030173	1030174
299 English Walnut							
117 New Oak	124 Golden Oak	117	1030160	1030161	1030162	1030163	1030164
288 Sunset Pine							
604 Nutmeg	134 Spice	134	1030165	1030166	1030167	1030168	1030169
902 Aged Barrel	133 Rich Walnut	312	1030180	1030181	1030182	1030183	1030184
903 Moonshine	904 Old Heritage	802	1030190	1030191	1030192	1030193	1030194
901 Comfort Oak		800	1030185	1030186	1030187	1030188	1030189
301 Lunar		813	1030145	1030146	1030147	1030148	1030149

CC WAND CHART

Core Color	2" Color #	2-3/8" Color #	Wand Color Code	Wand Size / PCN				
				12"	20"	24"	36"	48"
Aged Barrel	WBR-902		312	1030336	1030337	1030338	1030339	1030340
Amber	W2-287		817	1030396	1030397	1030398	1030399	1030400
Ashen	W2-401		401	1030346	1030347	1030348	1030349	1030350
Barn Door	W2-316		823	1030401	1030402	1030403	1030404	1030405
Comfort Oak	WBR-901		312	1030336	1030337	1030338	1030339	1030340
Dark Mocha	W2-295		133	1030316	1030317	1030318	1030319	1030320
Eastern Cherry	W2-315		122	1030301	1030302	1030303	1030304	1030305
English Walnut	W2-299		525	1030366	1030367	1030368	1030369	1030370
Front Porch	WBR-803		812	1030386	1030387	1030388	1030389	1030390
Golden Oak	W2-124		124	1030306	1030307	1030308	1030309	1030310
Hidden Gray	W2-601		302	1030326	1030327	1030328	1030329	1030330
Inkwell	W2-400		400	1030341	1030342	1030343	1030344	1030345
Lunar	W2-301		812	1030386	1030387	1030388	1030389	1030390
Mahogany	W2-125		125	1030311	1030312	1030313	1030314	1030315
Milky White	W2-282	W238-282	026	1029706	1029707	1029708	1029709	1030290
Moonshine	WBR-903		802	1030376	1030377	1030378	1030379	1030380
Neuvo White	W2-284		026	1029706	1029707	1029708	1029709	1030290
New Oak	W2-117		117	1030296	1030297	1030298	1030299	1030300
Nutmeg	W2-602		134	1030321	1030322	1030323	1030324	1030325
Old Heritage	WBR-904		820	1030406	1030407	1030408	1030409	1030410
Pleasant Dream	W2-600		302	1030326	1030327	1030328	1030329	1030330
Pure White	W2-026	W238-026	026	1029706	1029707	1029708	1029709	1030290
Rich Walnut	W2-133		133	1030316	1030317	1030318	1030319	1030320
Snow White	W2-296		026	1029706	1029707	1029708	1029709	1030290
Snowflake	W2-013	W238-013	026	1029706	1029707	1029708	1029709	1030290
Spice	W2-134		134	1030321	1030322	1030323	1030324	1030325
Stewart Pecan	W2-318		309	1030331	1030332	1030333	1030334	1030335
Sugar	W2-300	W238-300	026	1029706	1029707	1029708	1029709	1030290
Sunset Pine	W2-288		815	1030391	1030392	1030393	1030394	1030395
Tinsmith	WBR-806		302	1030326	1030327	1030328	1030329	1030330
Washed Birch	WBR-900		302	1030326	1030327	1030328	1030329	1030330
Winter White	W2-012	W238-012	026	1029706	1029707	1029708	1029709	1030290