

## // Product Components Guide



**ALTA**  
WINDOW FASHIONS  
*design simplified*

**SOFTSTYLE**  
SHADES

REVISED 8/21/23

---

## SUMMARY OF REVISIONS

---

### 8/21/23 Revisions:

Page 17.....Added Bliss Magnetic Charging Kit PCNs  
Page 21 .....Added new 6FT Pendant PCNs  
Page 23.....Added Magnetic Charging Kit and Adapter PCNs  
Page 25 .....Corrected Rail Carrier PCN

### 5/15/23 Revisions:

Page 21 .....Corrected Vanilla and Black PowerWand Pendant PCNs

### 3/13/23 Revisions:

Removed Simplicity Rechargeable Automation and Simplicity Skylight

Page 17.....Updated remote PCNs and added Power Source PCNs  
Page 19 .....Updated remote PCN and added Power Source PCNs  
Page 29.....Updated remote PCN  
Pages 30-31 .....Added Skylight Somfy

---

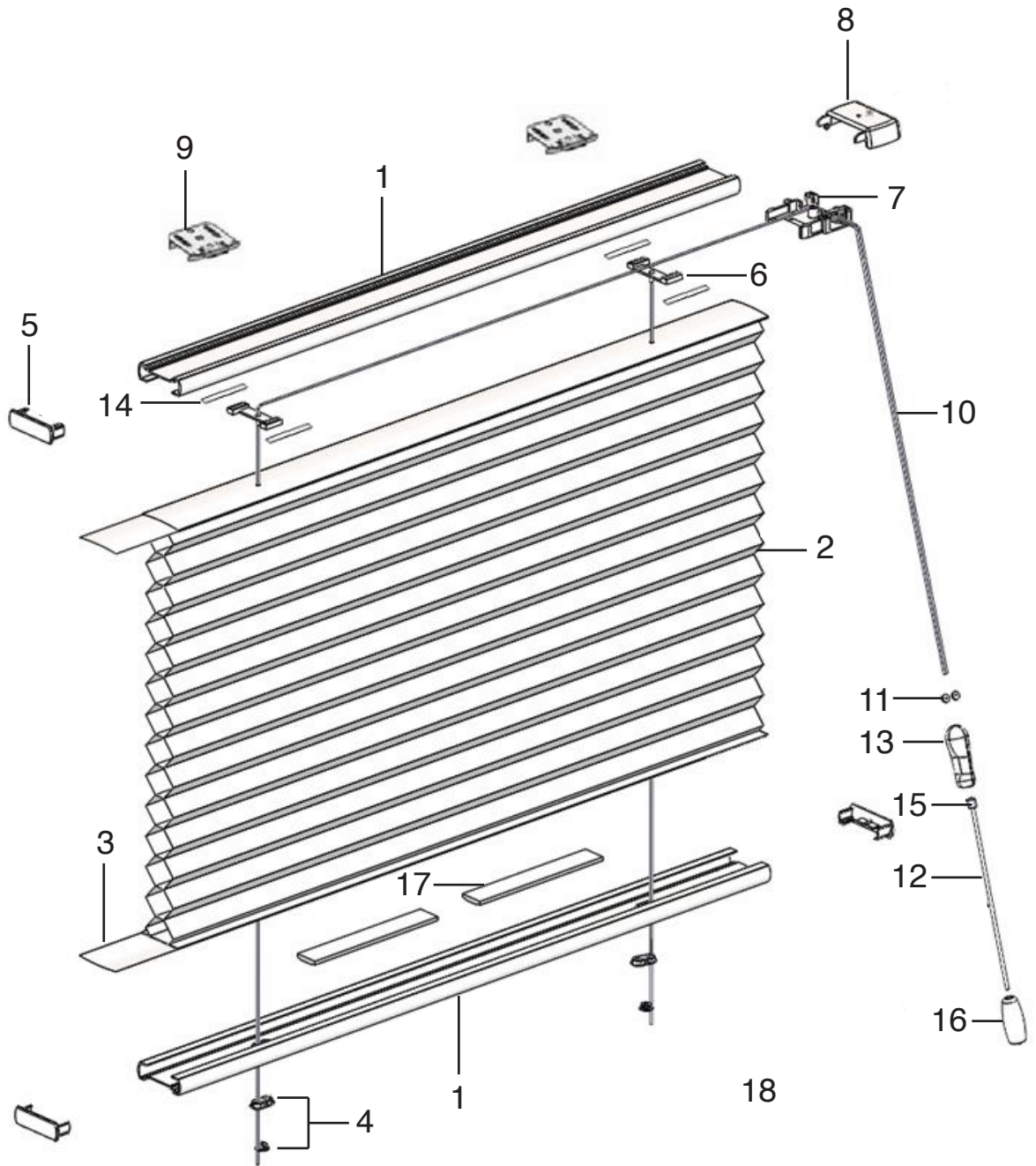
## TABLE OF CONTENTS

---

### Product Specifications

• Product Components - Standard Cordlock .....	2-3
• Product Components - Continuous Cord. ....	4-5
• Product Components - Cordless & Continuous Cord Loop.....	6-7
• Product Components - Cordless .....	8-9
• Product Components - 1-1/4" CL BU .....	10-11
• Product Components - 1-1/4" CL TDBU .....	12-13
• Product Components - Cordless Lift & lock.....	14-15
• Product Components - Bliss BU .....	16-17
• Product Components - 1-1/4" Bliss BU .....	18-19
• Product Components - Powerwand™ .....	20-21
• Product Components - Somfy Automation .....	22-23
• Product Components - Cellular Vertical Application .....	24-25
• Product Components - Skylight .....	26-27
• Product Components - Skylight Bliss .....	28-29
• Product Components - Skylight Somfy .....	30-31

PRODUCT COMPONENTS – STANDARD CORDLOCK



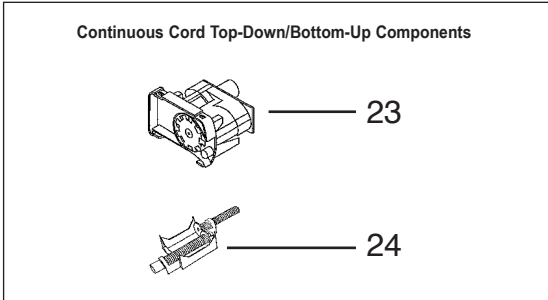
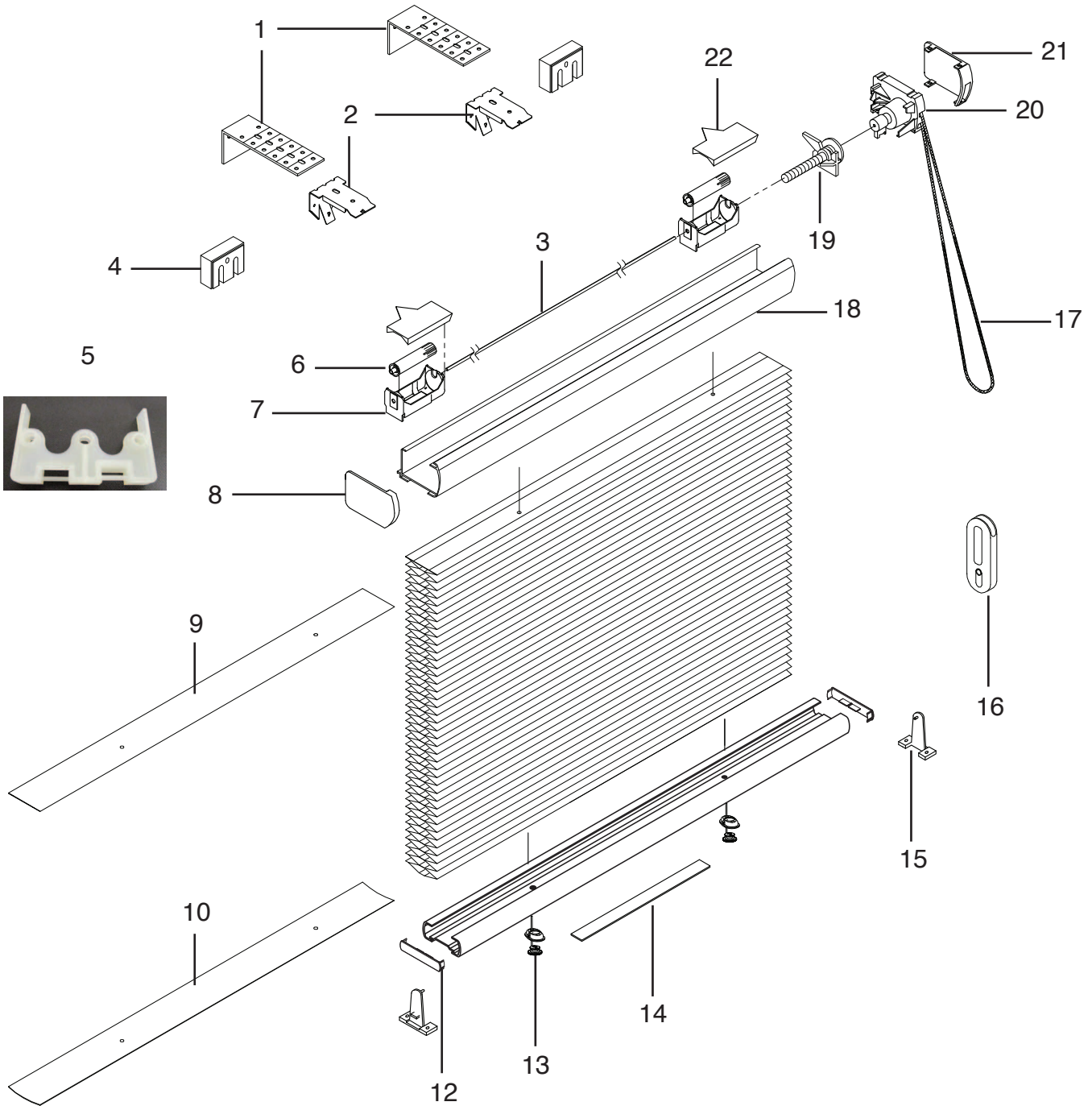
---

## PRODUCT COMPONENTS – STANDARD CORDLOCK

---

1. RAIL STD CMTX 3/4 (Part #XURXXX16)
2. Fabric
3. Aluminium filler strip 1 ½ inch 1KFT RL (Part #1091830150)  
FILLER STRIP 42.5MMX.21MM A310 (Part #42500110C)
4. Shade Adjust - Base Clr/5K CAR rev 7.14. (Part #12-129A)  
Shade Adjust - Spool Clear/5K CAR (Part #12-128A)
5. END CAP 3/4 CMTX REV16 (Part #19-183-XXX)
6. CORD GUIDE HC 3/4IN (Part #2970300000)
7. CORD LOCK ASSEMBLY .75 IN UNIVERSAL (3/4) (Part #XUCS801)
8. CRDLK CVRS 3/4 CMTX (Part #XUCLCXXX)
9. KIT 3/4 XCS707 HC CLLK INSTL BRKT X PK (Part #KIT-34XCS707-CLLKX)
10. 1.2mm Cord (Part #6800125XXX)
11. WASHER HC PLTD MH PLASTIC (Part #2930130000)
12. CORD D22 (Part #70-61-0XXX)
13. BREAKAWAY SAFETY TASSEL (Part #2932623XXX)
14. TAPE .25 IN DOUBLE SIDED RED A (Part #700029-001)
15. CORD COLLAR FOR SAFETY TASSEL (Part #2980023000)
16. TASSEL EQUZLER CVR OVAL (Part #700425XXX)
17. 5 IN BOTTOM BAR WEIGHT W/TAPE (Part #40-0013-000)
18. Not Shown:  
DELUXE SIDE MOUNT BRACKET (Part #XCS1801)  
DELUXE HOLD DOWN BKT WITH HARD (Part #XCS1101)

# PRODUCT COMPONENTS – CONTINUOUS CORD



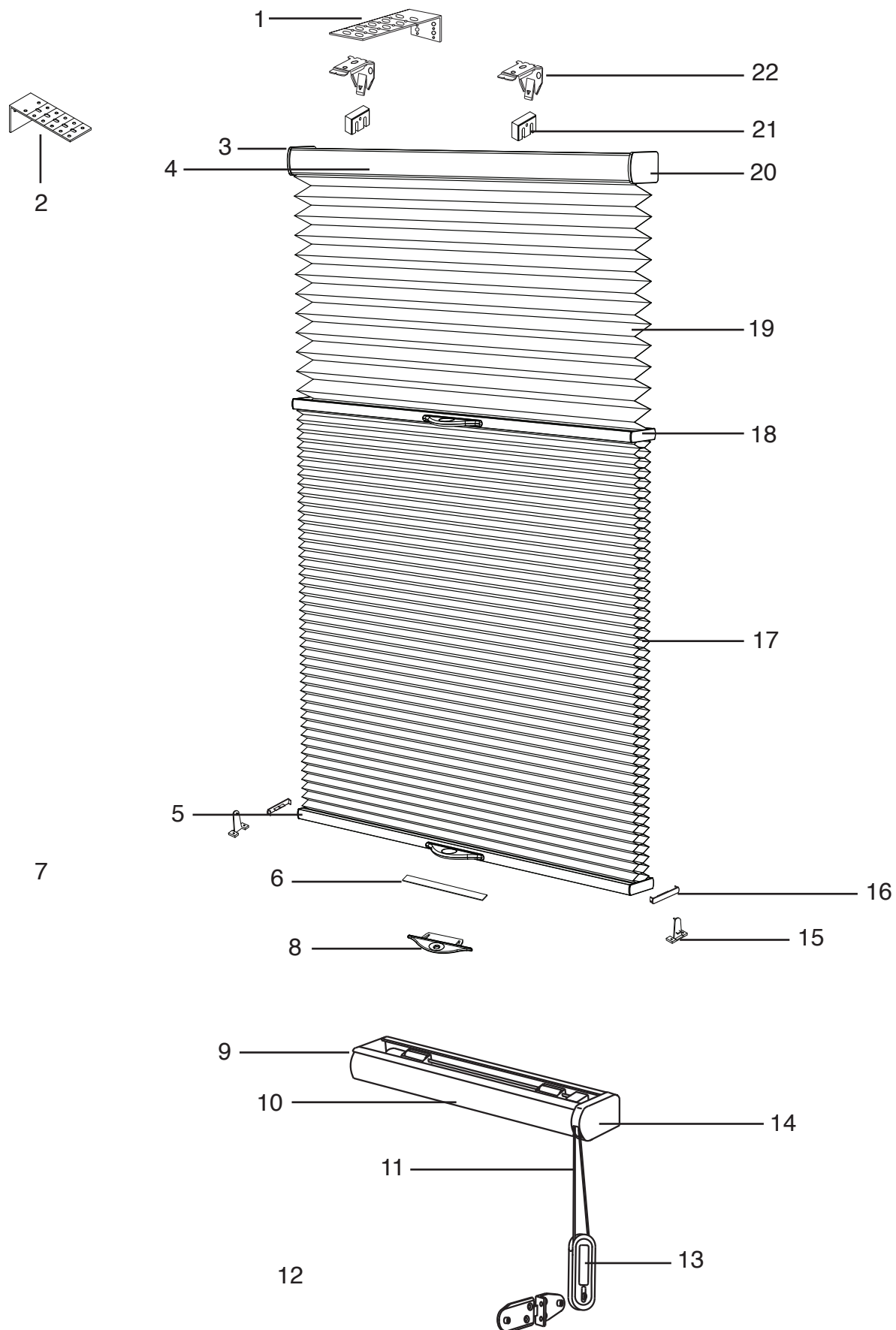
---

## PRODUCT COMPONENTS – CONTINUOUS CORD

---

1. Extension Bracket  
Part #KIT2013 (2PK)  
Part #KIT2014 (3PK)
2. Mounting Bracket  
Part #KIT-CCCLHC-2PK (2PK)  
Part #KIT-CCCLHC-3PK (3PK)
3. Metal V Shaft (Part #2770004000)
4. 1/2" Spacer Block  
KIT2011 (2PK)  
KIT2012 (3PK)
5. Cradle Support (Part # 19-179)
6. Polycarb Lift Spool (Part #1019884)
7. Lift Station Support  
RH (Part # 6281301)  
LH (Part # 6281303)
8. Headrail End Cap (Part #4024954-COLOR)
9. Headrail Filler Strip (Part #42500110C)
10. Filler Strip – 3/4" Rail (Part #42500110C)
11. Universal Cord Tensioner Mounting Kit (Part #KIT2350)
12. End Cap – 3/4" (Part #19-183-COLOR)
13. Shade Adjust (Part #12-128A Spool, 12-129A Base)
14. Rail Weight – 5" With Tape (Part #40-0013-000)
15. Hold Down Bracket  
3/4" (Part #XCS1101)
16. Universal Cord Tensioner (Part #4152336-COLOR)
17. Color-Coordinated Cord Loop
18. Continuous Cord Headrail
19. Drop Limiter Tube (Part #500098000)
20. Right Hand Clutch Assembly (Part #50-0121-000)  
Left Hand Clutch Assembly (Part #50-0122-000)
21. Right Hand Clutch Cover (Part #90-10-0COLOR)  
Left Hand Clutch Cover (Part #90-20-0COLOR)
22. Spool Cover (Part #5241301)
23. LH Rear Clutch Assembly (Part #CS4317)
24. Dual Bottom Limiter (Part #500199000)

# PRODUCT COMPONENTS – CORDLESS & CONTINUOUS CORD LOOP



NOTE: TriLight Shades are also available with Cordless Lift & Lock. Refer to the diagram for parts information.



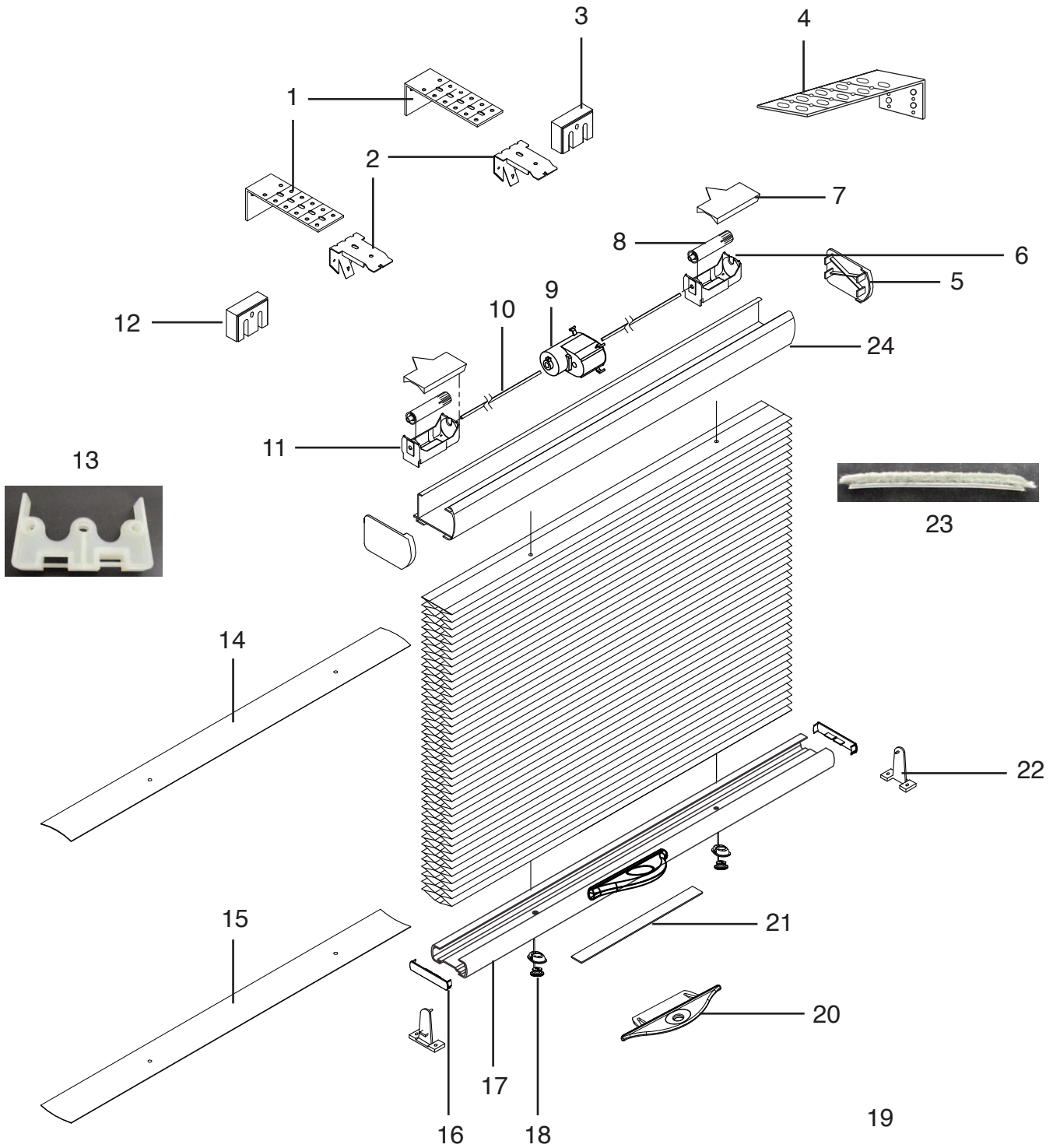
---

## PRODUCT COMPONENTS – CORDLESS & CONTINUOUS CORD LOOP

---

1. End Mount Bracket (Part #40-0026-159)  
Used with Installation Brackets
2. Extension Bracket  
Part # KIT2013 (2PK)  
Part # KIT2014 (3PK)
3. Cordless Lift System
4. Fabric-Wrapped Headrail
5. Fabric-Wrapped Bottomrail
6. 5" Bottom Bar Weight With Tape (Part #40-0013-000)
7. Not Shown: Clear Handle Plug (Part #09-209A-000)
8. Cordless Handle  
Color (Part #09-199B-COLOR)  
Clear (Part #09-199B-000)
9. Headrail End Cap (Part #4024954-COLOR)
10. Continuous Cord Loop Headrail
11. White Cord Loop  
24" (Part #993502500)  
36" (Part #993503500)  
48" (Part #993504500)  
60" (Part #993505500)  
72" (Part #993506500)  
84" (Part #993507500)  
96" (Part #993508500)  
120" (Part #993510500)  
144" (Part #993512500)
12. Not Shown:  
Right Hand Clutch Assembly (Part #50-0121-000)  
Left Hand Clutch Assembly (Part #50-0122-000)
13. Tension Device (Part #4152336-COLOR)
14. S/B: Left hand clutch cover (Part #90-20-0-COLOR)  
Right hand clutch cover (Part #90-10-0-COLOR)
15. Hold Down Bracket  
3/4" (Part #XCS1101)
16. 3/4" End Cap (Part #19-183-COLOR)
17. Semi-Opaque or Blackout Cellular Fabric
18. Fabric-Wrapped Intermediate Rail
19. Sheer Pleated Fabric
20. Headrail End Cap (Part #4024954-COLOR)
21. 1/2" Spacer Block  
Part #KIT2011 (2PK)  
Part #KIT2012 (3PK)
22. Installation Bracket  
Part #KIT-CCCLHC-2PK (2PK)  
Part #KIT-CCCLHC-3PK (3PK)

# PRODUCT COMPONENTS – CORDLESS



## CORDLESS TOP-DOWN/BOTTOM-UP

Striker Plate:  
 Zinc: Part #CS5476 (Painted rails)  
 White: Part #CS5476W (Fabric covered rails)

Magnet:  
 Zinc: Part #CS5467 (Painted rails)  
 Magnet Cover - White: Part #CS5467CV-W (Fabric covered rails)  
 Magnet Lock: Part #CS5471  
 Magnet Screw: Part #1021017

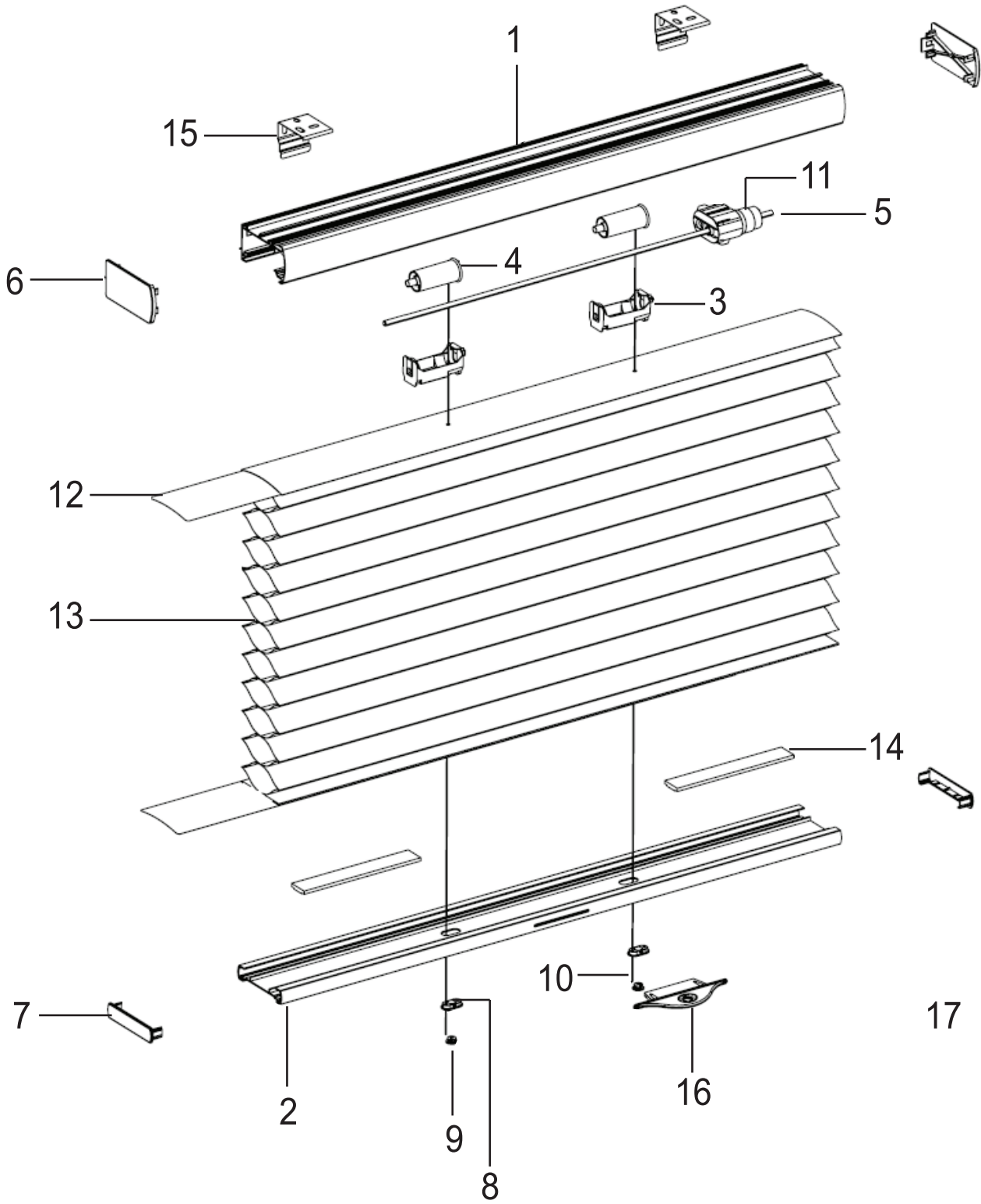
---

## PRODUCT COMPONENTS – CORDLESS

---

1. Extension Bracket  
Part #KIT2013 (2PK)  
Part #KIT2014 (3PK)
2. Installation Bracket  
Part #KIT-CCCLHC-2PK (2PK)  
Part #KIT-CCCLHC-3PK (3PK)
3. 1/2" Spacer Block  
Part #KIT2011 (2PK)  
Part #KIT2012 (3PK)
4. End Mount Bracket (Part #40-0026-159)  
Used with installation bracket
5. Headrail End Cap (Part #4024954-COLOR)
6. Lift Station Support – RH (Part #6281301)
7. Spool Cover (Part #5241301)
8. Polycarb Lift Spool (Part #1019884)
9. Lift Motor  
Blue (Part #1009471)  
White (Part #1009472)  
Gray (Part #1009470)
10. Lift Rod V Shaft (Part #50-00-69-000)
11. Lift Station Support – LH (Part #6281303)
12. 1/2" Spacer Block  
Part #KIT2011 (2PK)  
Part #KIT2012 (3PK)
13. Cradle Support (Part #19-179)
14. Headrail Filler Strip (Part #42500110C)
15. Filler Strip  
3/4" Rail (Part #42500110C)
16. Bottomrail End Cap  
3/4" (Part #19-183-COLOR)
17. 3/4" Rail (Part #XUR-COLOR-16)
18. Shade Adjust  
Spool (Part #12-128A)  
Base (Part #12-129A)
19. Clear handle plug (Part #09-209A-000)
20. Cordless Handle  
Color (Part #09-199B-COLOR)  
Clear (Part #09-199B-000)
21. Rail Weight – 5" With Tape (Part #40-0013-000)
22. Hold Down Bracket  
3/4" (Part #XCS1101)
23. Light Block Option  
1-1/4" (Cordless and Motorized IB only) (Part #RCBLBB)
24. Cordless Headrail

PRODUCT COMPONENTS – 1 1/4" CORDLESS BU



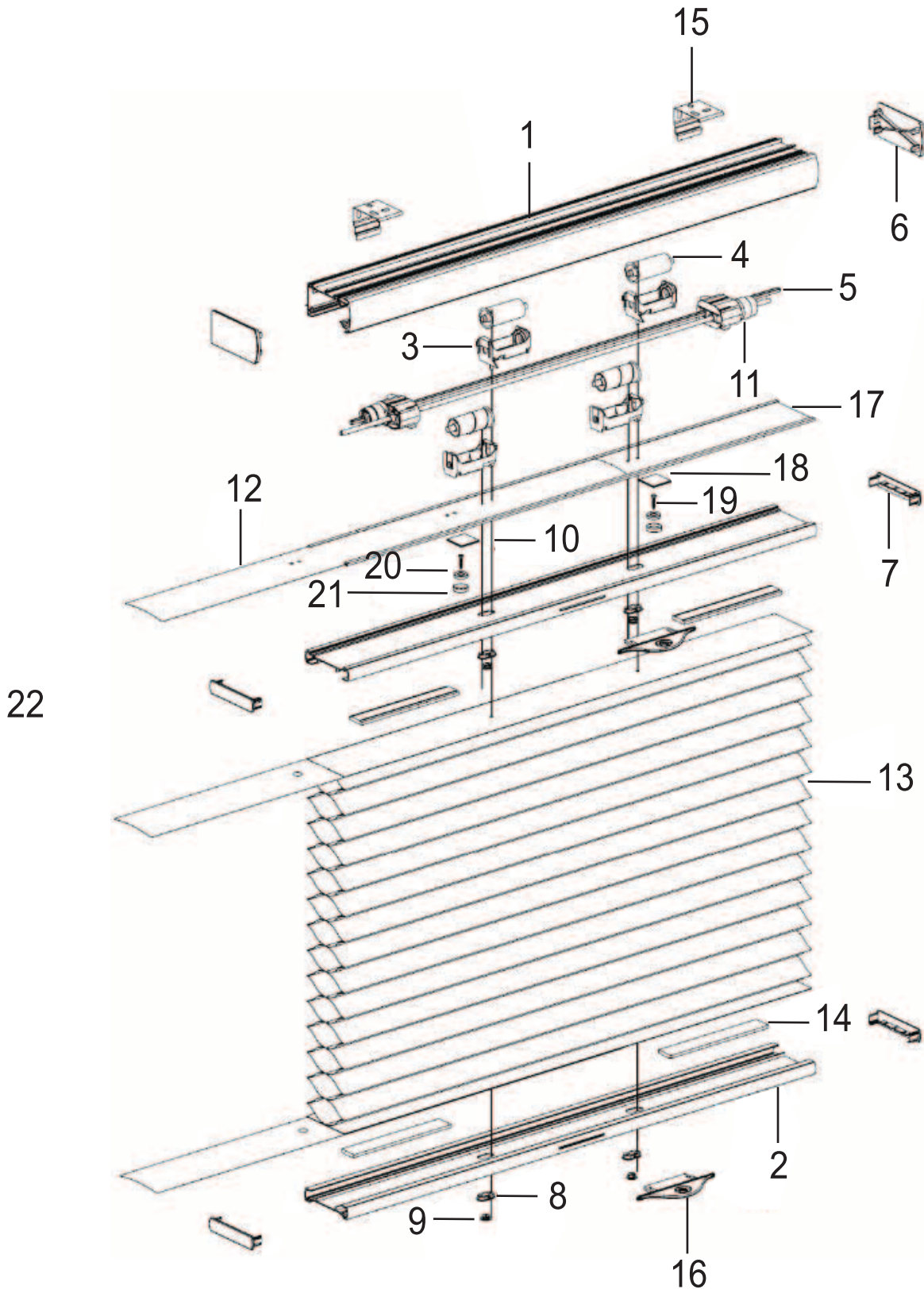
---

## PRODUCT COMPONENTS – 1 1/4” CORDLESS BU

---

1. Headrail (CC) RAIL;HDR;HC;1.25in;  
CC = Coordination Color
2. Bottom rail (CC) RAIL;BTM;HC;1.25in;  
CC = Coordination Color
3. COMMON HR LIFT SPOOL SUPPORT (Part #2780033000)
4. SPOOL;HONEYCOMB;COMMON HR ASA;DARK GRAY (Part#1019884)
5. STEEL V-SHAFT ROD FOR COMMON HEADRAIL -A (Part #2770004000)
6. Headrail end cap (CC) EC;HC;1.25in;HDR;  
CC = Coordination Color
7. Bottom rail end cap (CC) EC;HC;1.25in;BTM;  
CC = Coordination Color
8. Shade Adjust - Base Clr/5K CAR rev 7.14. (Part #12-129A)
9. Shade Adjust - Spool Clear/5K CAR (Part #12-128A)
10. CORD;CC090002;NA;WHITE;00110;CRDLS .09MM (Part #1851771)
11. SIMPLEX WHITE MOTOR ASSEMBLY-NEW WING (Part #1009472)  
SIMPLEX BLUE MOTOR ASSEMBLY-NEW WING (Part #1009471)  
SIMPLEX TAN MOTOR NO BRAKE-NEW WING (Part #1009473)  
SIMPLEX MOTOR BROWN NO BRAKE (Part #500200000)
12. FILLER STRIP 2.41IN ALUMINUM (Part #2971311000)
13. Fabric
14. 5 IN BOTTOM BAR WEIGHT W/TAPE (7505T) (Part #40-0013-000)
15. KIT SM CASS BKT 2PK (Part #KIT-RS-010R)  
KIT SM CASS BKT 3PK (Part #KIT-RS-011R)
16. HC CL Handle Universal- (Part #09-199B-XXX (CC))  
CC = Coordination Color
17. Not Shown (Optional):  
Light Blocking Brush 200yd spool (Part #RCBLBB)  
Spacer Block 2-Pack (Part #KIT2011)  
Spacer Block 3-Pack (Part #KIT2012)  
4 IN BREAK AWAY BRACKET WHITE 10-0706 (Part #40-0026-159)

PRODUCT COMPONENTS - 1 1/4" CORDLESS TDBU



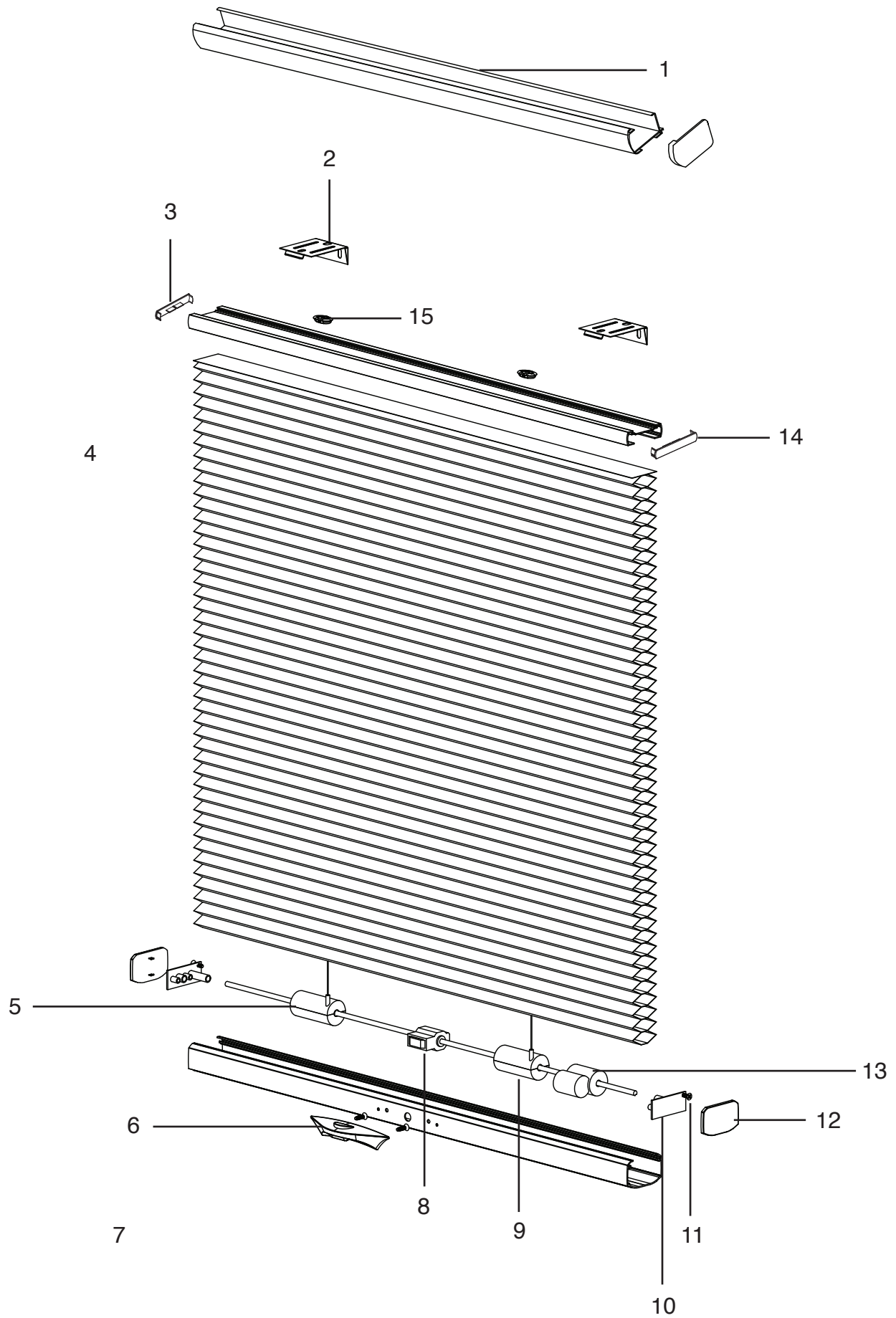
---

## PRODUCT COMPONENTS – 1 1/4” CORDLESS TDBU

---

1. Headrail (CC) RAIL;HDR;HC;1.25in;  
CC = Coordination Color
2. Bottom rail (CC) RAIL;BTM;HC;1.25in;  
CC = Coordination Color
3. COMMON HR LIFT SPOOL SUPPORT (Part #2780033000)
4. SPOOL;HONEYCOMB;COMMON HR ASA;DARK GRAY (Part #1019884)
5. STEEL V-SHAFT ROD FOR COMMON HEADRAIL -A (Part #2770004000)
6. Headrail end cap (CC) EC;HC;1.25in;HDR;  
CC = Coordination Color
7. Bottom rail end cap (CC) EC;HC;1.25in;BTM;  
CC = Coordination Color
8. Shade Adjust - Base Clr/5K CAR rev 7.14. (Part #12-129A)
9. Shade Adjust - Spool Clear/5K CAR (Part #12-128A)
10. CORD;CC090002;NA;WHITE;00110;CRDLS .09MM (Part #1851771)
11. SIMPLEX WHITE MOTOR ASSEMBLY-NEW WING (Part #1009472)  
SIMPLEX BLUE MOTOR ASSEMBLY-NEW WING (Part #1009471)  
SIMPLEX TAN MOTOR NO BRAKE-NEW WING (Part #1009473)  
SIMPLEX MOTOR BROWN NO BRAKE (Part #500200000)
12. FILLER STRIP 2.41IN ALUMINUM (Part #2971311000)
13. Fabric
14. 5 IN BOTTOM BAR WEIGHT W/TAPE (7505T) (Part #40-0013-000)
15. KIT SM CASS BKT 2PK (Part #KIT-RS-010R)  
KIT SM CASS BKT 3PK (Part #KIT-RS-011R)
16. HC CL Handle Universal- (Part #09-199B-XXX (CC))  
CC = Coordination Color
17. INSERT;HC;1.25in;LGHT GSKT;16ft EXTR (Part #1022119)
18. LIFTLOCK TDBU 1.5IN X .925IN X .059IN P (Part #1022973)
19. MOTIONLOCK HANDLE ASSEMBLY 3/8IN SCREWS (Part #1021017)
20. LIFTLOCK TDBU .560IN X .125IN MAGNET (Part #6191403)
21. CAP;MAGNET;HC;1.25in;White (Part #1016334)
22. Not Shown (Optional):  
Light Blocking Brush 200yd spool (Part #RCBLBB)  
Spacer Block 2-Pack (Part #KIT2011)  
Spacer Block 3-Pack (Part #KIT2012)  
4 IN BREAK AWAY BRACKET WHITE 10-0706 (Part #40-0026-159)

# PRODUCT COMPONENTS – CORDLESS LIFT & LOCK





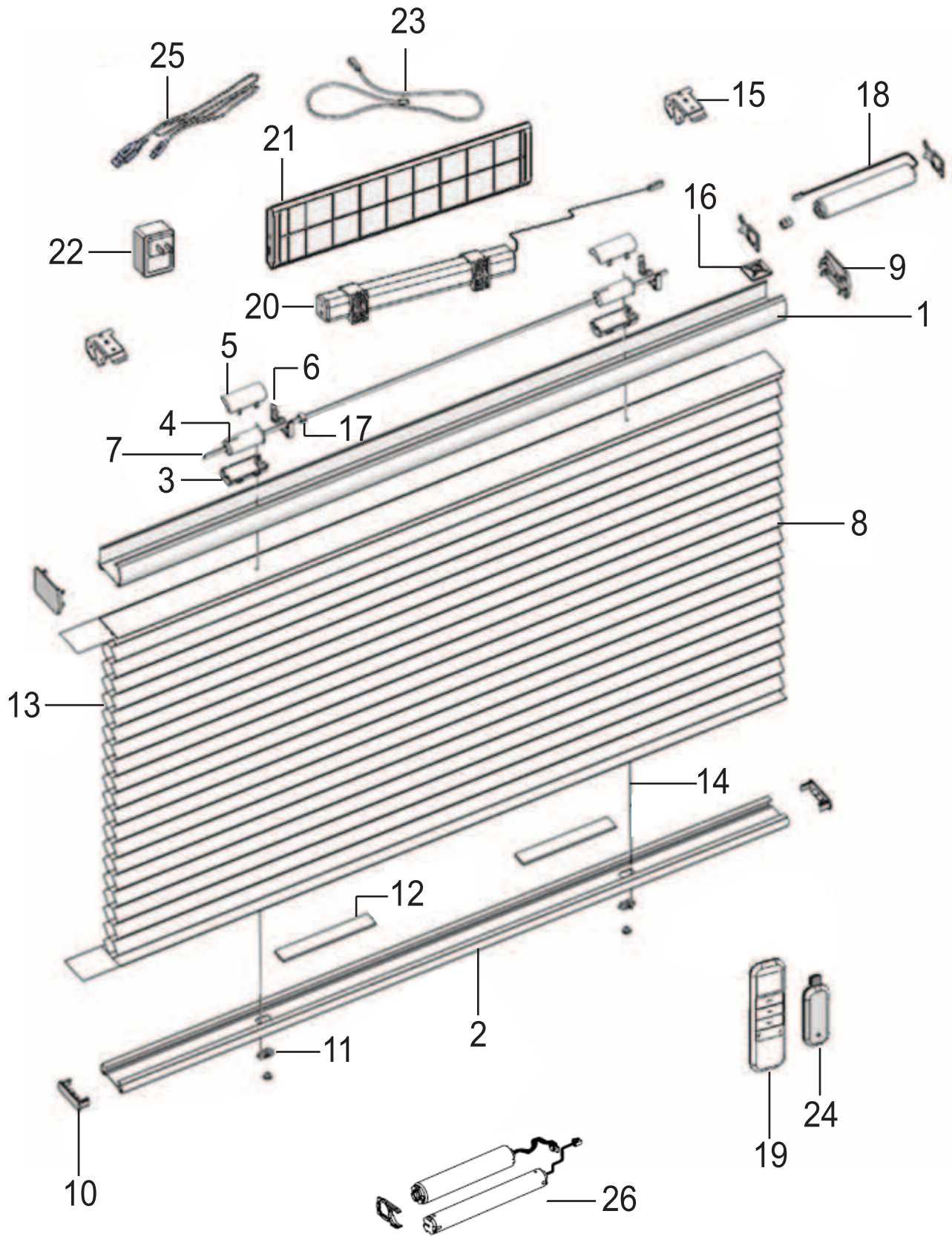
---

## PRODUCT COMPONENTS – CORDLESS LIFT & LOCK

---

1. Optional Premium Headrail
2. Installation Bracket  
Part #KIT-34XCS707-CLLK (2PK)  
Part #KIT-34XCS707-CLLK3 (3PK)
3. Color Coordinated 3/4" End Cap (Part #19-183-COLOR)
4. Not Shown: Side Mount Bracket (Part #XCS1801)
5. Lift Station Support Single LH (Part #6281303)
6. Handle (Part #4231301-COLOR)  
Handle Assembly Screw (Part #4231302)
7. Not Shown:  
Cordless Lift & Lock Top-Down/Bottom-Up Magnet (Part #6191403)  
Striker Plate (Part #1022973)
8. Standard Lock (Part #2131301)
9. Lift Station Support Single RH (Part #6281301)
10. End Lock Base Set (Part #6121302)
11. Screw (Part #4231302)
12. Rail End Cap (Part #3121302-COLOR)
13. Motor Assembly  
(White Part #2151308)  
(Blue Part #2151307)
14. Optional Clear Rail End Cap (Part #19-183-000BB)
15. Shade Adjust (Part #12-128A Spool, 12-129A Base)

PRODUCT COMPONENTS – BLISS MOTORIZATION BU



---

## PRODUCT COMPONENTS – BLISS MOTORIZATION BU

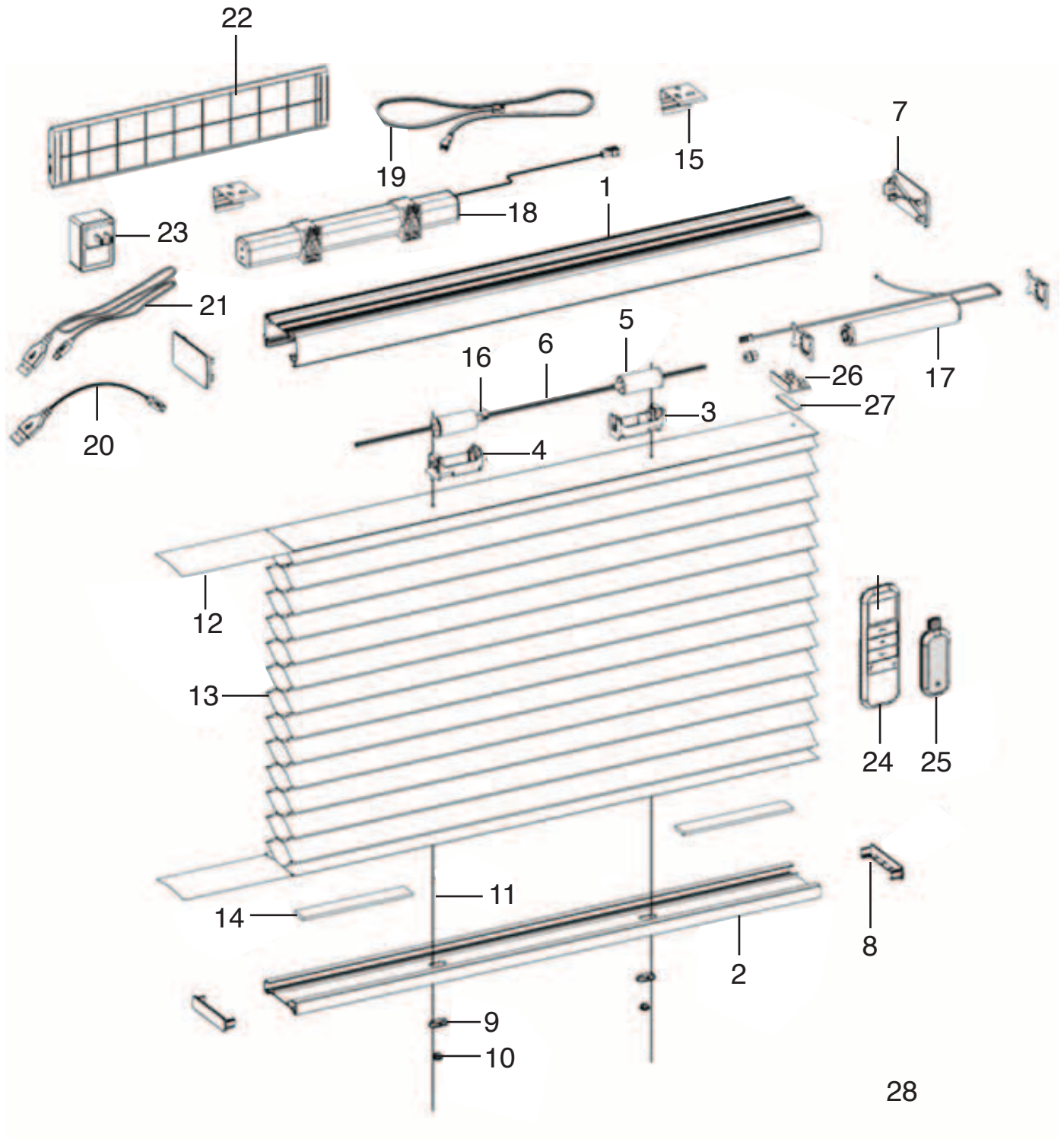
---

1. HR SMTH MOD 2.10 UNIV HCCLCC (Part #90-80-0xxx)
2. RAIL STD CMTX 3/4 (Part #XURxxx16)
3. Clamshell Lift Station Support Single RH (Part #6281301)
4. SPOOL;HONEYCOMB;COMMON HR ASA;DARK GRAY (Part #1019884)
5. Clamshell Lift Station Cover (Part #CS4052)
6. CRADLE SUPPORT (Part #19-179)
7. STEEL V-SHAFT ROD FOR COMMON HEADRAIL -A (Part #2770004000)
8. Fabric
9. HDRL END CAP UNIV RAIL (Part #4024954xxx)
10. END CAP 3/4 CMTX REV16 (Part #19-183-XXX)  
END CAP 3/8 CMTX (Part #UECXXX)
11. Shade Adjust - Base Clr/5K CAR rev 7.14. (Part #12-129A)  
Shade Adjust - Spool Clear/5K CAR (Part #12-128A)
12. 5 IN BOTTOM BAR WEIGHT W/TAPE (7505T) (Part #40-0013-000)
13. FILLER STRIP Duet Appls Acclm 3/4in AL (Part #42500110C)  
Aluminium filler strip 1 1/2 inch 1KFT RL (Part #1091830150)
14. CORD .9 MM (Part #1851771)
15. KIT CC/CL HC INSTL BRKT WHITE 2 PK (Part #KIT-CCCLHC-2PK)  
KIT CC/CL HC INSTL BRKT WHITE 3 PK (Part #KIT-CCCLHC-3PK)
16. Cable tie mounting base (Part #CS5201)
17. LOCKING COLLAR ASSY - NGPR (METAL) (Part #2920750000)
18. MOTOR;BLISS;CELL;SingleDr;0.6Nm;50r (Part #62006000)  
Includes motor and shaft adapters
19. Bliss BU 15 Channel Remote Control (Part #1026655)  
Bliss TDBU 16 Channel Remote Control (Part #1026656)
20. BATPK;BLISS;5v2.6AhLi-ion;Rechargeable (Part #62203000)
21. CHARGER;BLISS;Solar Panel;2.0;USB Mtr (Part #62201000)
22. KIT;CHARGER;5V;WALL;USB;WHITE (Part #1027720)
23. DC MOTOR CABLE EXTENDER 48IN (Part #62206700)
24. CNTRL;BLISS;Gateway;WiFiHub;AltaExc (Part #62102C00)
25. CABLE;EXT;CHARGE;MICRO-USB;48IN (Part #1013115)
26. Internal Battery Motor (Part #62009000)  
Internal Battery (Part #62203100)

### Not Shown (Optional)

- CABLE;EXT;CHARGE;MICRO-USB;8IN (Part #1013119)
- Spacer Block 2-Pack (Part #KIT2011)
- Spacer Block 3-Pack (Part #KIT2012)
- 15v DC Distribution Power Panel - 18 Motor (Part #1037300)
- 12v DC Plug In Transformer (Part #62209000)
- CONN;Tip;AMPBLISS;Magnetic;USB (Part #62206200)
- KIT;BLISS;Magnetic;Connect;Tip (Part #1026665)
- KIT;BLISS;Magnetic;90deg;Connect;Tip (Part #1027769)

PRODUCT COMPONENTS - 1 1/4" BLISS MOTORIZATION BU



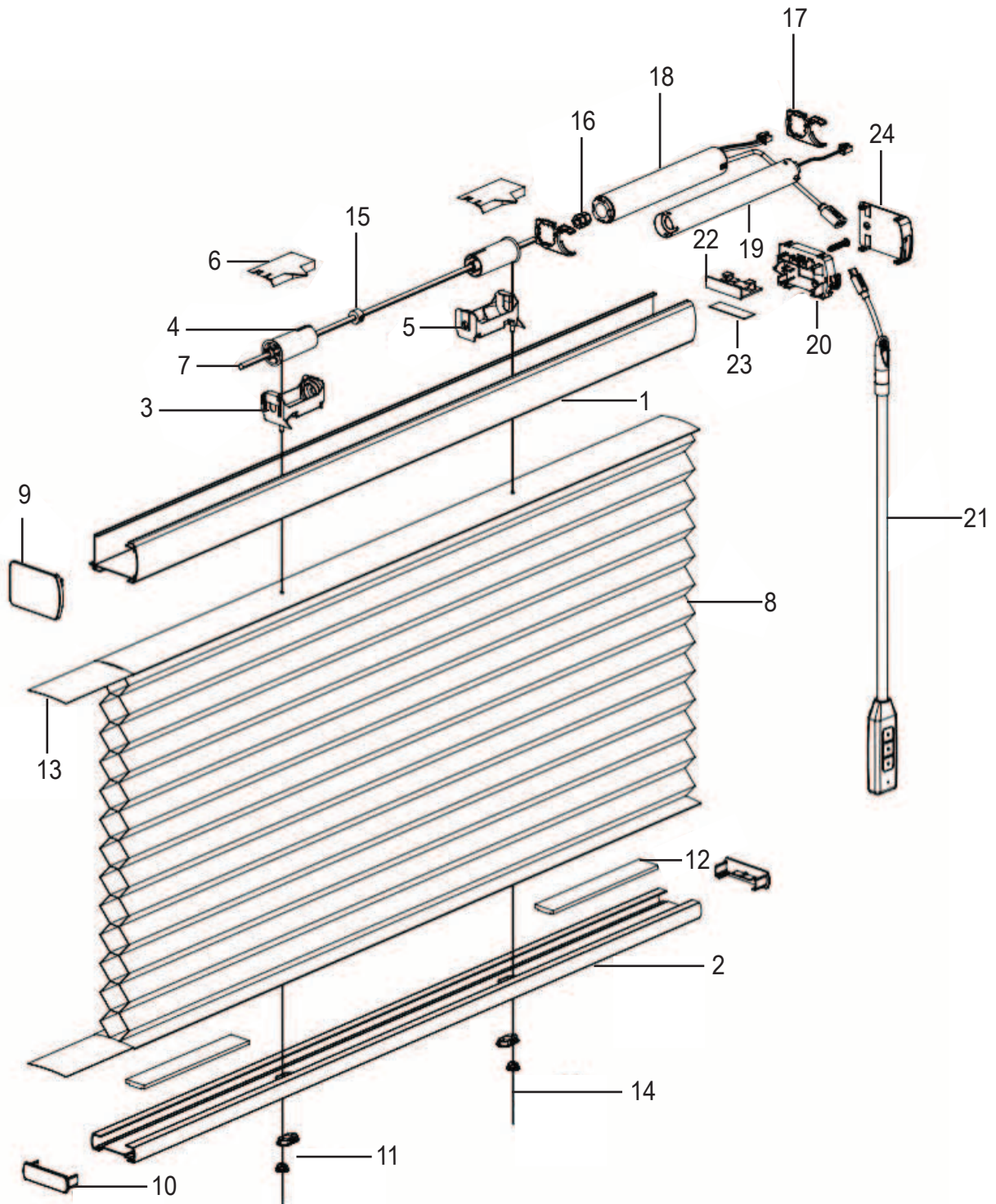
---

## PRODUCT COMPONENTS – 1 1/4” BLISS MOTORIZATION BU

---

1. Headrail (CC) RAIL;HDR;HC;1.25in;
2. Bottom rail (CC) RAIL;BTM;HC;1.25in;
3. COMMON HR LIFT SPOOL SUPPORT (Part #2780033000)
4. SPOOL HOUSING LH (Part #2965980000)
5. SPOOL;HONEYCOMB;COMMON HR ASA;DARK GRAY (Part #1019884)
6. STEEL V-SHAFT ROD FOR COMMON HEADRAIL -A (Part #2770004000)
7. Headrail end cap (CC) EC;HC;1.25in;HDR;
8. Bottom rail end cap (CC) EC;HC;1.25in;BTM;
9. Shade Adjust - Base Clr/5K CAR rev 7.14. (Part #12-129A)
10. Shade Adjust - Spool Clear/5K CAR (Part #12-128A)
11. CORD;CC090002;NA;WHITE;00110;CRDLS .09MM (Part #1851771)
12. FILLER STRIP 2.41IN ALUMINUM (Part #2971311000)
13. Fabric
14. 5 IN BOTTOM BAR WEIGHT W/TAPE (7505T) (Part #40-0013-000)
15. KIT SM CASS BKT 2PK (Part #KIT-RS-010R)  
KIT SM CASS BKT 3PK (Part #KIT-RS-011R)
16. LOCKING COLLAR ASSY - NGPR (METAL) (Part #2920750000)
17. MOTOR;BLISS;CELL;SingleDr;0.6Nm;50r (Part #62006000)  
Note: Includes motor and shaft adapters
18. BATPK;BLISS;5v2.6AhLi-ion;Rechrgeable (Part #62203000)
19. DC MOTOR CABLE EXTENDER 48IN (Part #62207000)
20. CABLE;EXT;CHARGE;MICRO-USB;8IN (Part #62206700)
21. CABLE;EXT;CHARGE;MICRO-USB;48IN (Part #62206800)
22. CHARGER;BLISS;Solar Panel;2.0;USB Mtr (Part #62201000)
23. KIT;CHARGER;5V;WALL;USB;WHITE (Part #1027720)
24. Bliss 15 Channel Remote Control (Part #1026655)
25. CNTRL;BLISS;Gateway;WiFiHub;AltaExc (Part #62102C00)
26. STOP;MOTOR;HC;1.25in;HDR (Part #1020445)
27. TAPE;FOAM;.05inx1.5in;Blue (Part #1017594)
28. Now Shown (optional)  
Light Blocking Brush 200yd spool (Part #RCBLBB)  
Spacer Block 2-Pack (Part #KIT2011)  
Spacer Block 3-Pack (Part #KIT2012)  
4 IN BREAK AWAY BRACKET WHITE 10-0706 (Part #40-0026-159)  
15v DC Distribution Power Panel - 18 Motor (Part #1037300)  
12v DC Plug In Transformer (Part #62209000)

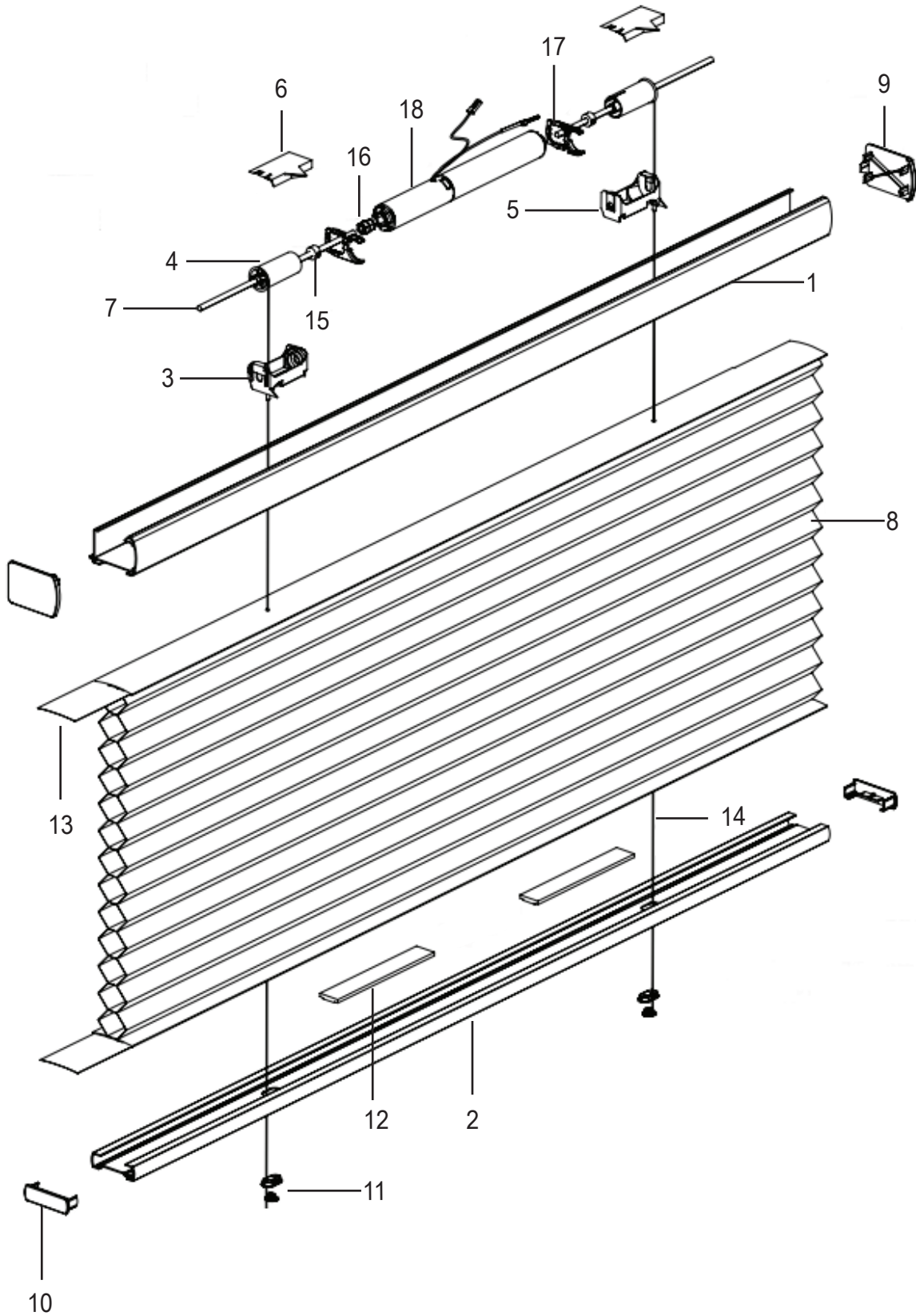
PRODUCT COMPONENTS – POWERWAND™



## PRODUCT COMPONENTS – POWERWAND™

- |  |   |
|--|---|
| <p>1. Headrail</p> <p>2. 3/8" Rail (Part #UR-COLOR-16)<br/>3/4" Rail (Part #XUR-COLOR-16)</p> <p>3. Common HR Lift Spool Support (Part #278003300)</p> <p>4. Polycarb Lift Spool (Part #1019884)</p> <p>5. Spool Housing LH (Part #2965980000)</p> <p>6. SPOOL SUPPORT COVER (Part # CS4052)</p> <p>7. LIFT ROD V-SHAFT (Part #2770004000)</p> <p>8. Fabric</p> <p>9. HDRL END CAP UNIV RAIL (Part #4024954xxx)</p> <p>10. END CAP 3/4 (Part #19-183-XXX)<br/>END CAP 3/8 (Part #UECXXX)</p> <p>11. Shade Adjust<br/>Base (PCN 12-129A)<br/>Spool (PCN 12-128A)</p> <p>12. 5 IN BOTTOM BAR WEIGHT W/TAPE (7505T) (Part #40-0013-000)</p> <p>13. Filler Strip<br/>3/8" Rail (Part #2954000000)<br/>3/4" Rail (Part #42500110C)</p> <p>14. Cord (Part #1851771)</p> <p>15. LOCKING COLLAR ASSY - NGPR (METAL) (Part #2920750000)</p> <p>16. ADAPT;r;VRod;HC;SPARE (Part #1034492)</p> <p>17. ADAPT;POWERWAND;BTE;Cell;SmoothHR (Part #1034496)</p> <p>18. MOTOR (Part #1034490)</p> <p>19. BATTERY (Part #1034491)</p> <p>20. EC;Receiver;Powerwand;RH (Part #1034428)<br/>EC;Receiver;Powerwand;LH (Part #1034429)</p> <p>21. Pendant<br/>White<br/>1FT (Part # 1034303)<br/>2FT (Part # 1034304)<br/>3FT (Part # 1034305)<br/>4FT (Part # 1034306)<br/>5FT (Part # 1034307)<br/>6FT (Part # 1040190)<br/>Vanilla<br/>1FT (Part # 1034408)<br/>2FT (Part # 1034409)<br/>3FT (Part # 1034410)<br/>4FT (Part # 1034411)<br/>5FT (Part # 1034412)<br/>6FT (Part # 1040191)<br/>Gray<br/>1FT (Part # 1034413)<br/>2FT (Part # 1034414)<br/>3FT (Part # 1034415)<br/>4FT (Part # 1034416)<br/>5FT (Part # 1034417)<br/>6FT (Part # 1040192)<br/>Bronze<br/>1FT (Part # 1034403)<br/>2FT (Part # 1034404)<br/>3FT (Part # 1034405)<br/>4FT (Part # 1034406)<br/>5FT (Part # 1034407)<br/>6FT (Part # 1040193)</p> | <p>Black<br/>1FT (Part # 1034308)<br/>2FT (Part # 1034309)<br/>3FT (Part # 1034400)<br/>4FT (Part # 1034401)<br/>5FT (Part # 1034402)<br/>6FT (Part # 1040194)</p> <p>22. STOP;MOTOR;HC;1.25in;HDR (Part #1020445)</p> <p>23. TAPE;FOAM;.05inx1.5in;Blue (Part #1017594)</p> <p>24. END CAP CLTCH RH UNIV RAIL (Part #90-10-0XXX)<br/>END CAP CLTCH LH UNIV RAIL (Part #90-20-0XXX)</p> |
|--|---|

PRODUCT COMPONENTS – SOMFY AUTOMATION





---

## PRODUCT COMPONENTS – SOMFY AUTOMATION

---

1. Headrail
2. 3/8" Rail (Part #UR-COLOR-16)  
3/4" Rail (Part #XUR-COLOR-16)
3. Common HR Lift Spool Support (Part #278003300)
4. Polycarb Lift Spool (Part #1019884)
5. Spool Housing LH (Part #2965980000)
6. SPOOL SUPPORT COVER (Part # CS4052)
7. LIFT ROD V-SHAFT (Part #2770004000)
8. Fabric
9. HDRL END CAP UNIV RAIL (Part #4024954xxx)
10. BOTTMRAIL END CAP 3/4 (Part #19-183-XXX)  
BOTTOMRAIL END CAP 3/8 (Part #UECXXX)
11. Shade Adjust – Base (Part #12-129A)  
Shade Adjust – Spool (Part #12-128A)
12. 5 IN BOTTOM BAR WEIGHT W/TAPE (Part #40-0013-000)
13. Filler Strip  
3/8" Rail (Part #2954000000)  
3/4" Rail (Part #42500110C)
14. Cord (Part #1851771)
15. LOCKING COLLAR ASSY - NGPR (METAL) (Part #2920750000)
16. ADAPTER;TL25;Shaft;HC (Part #1035616)
17. ADAPTER;TL25;Headrail;HC (Part #1035615)
18. MOTOR (Part #1035513)  
Not Shown (Optional)  
Magnetic Charging Kit (Part #1040198)  
Magnetic Adapter (Part #1040090)



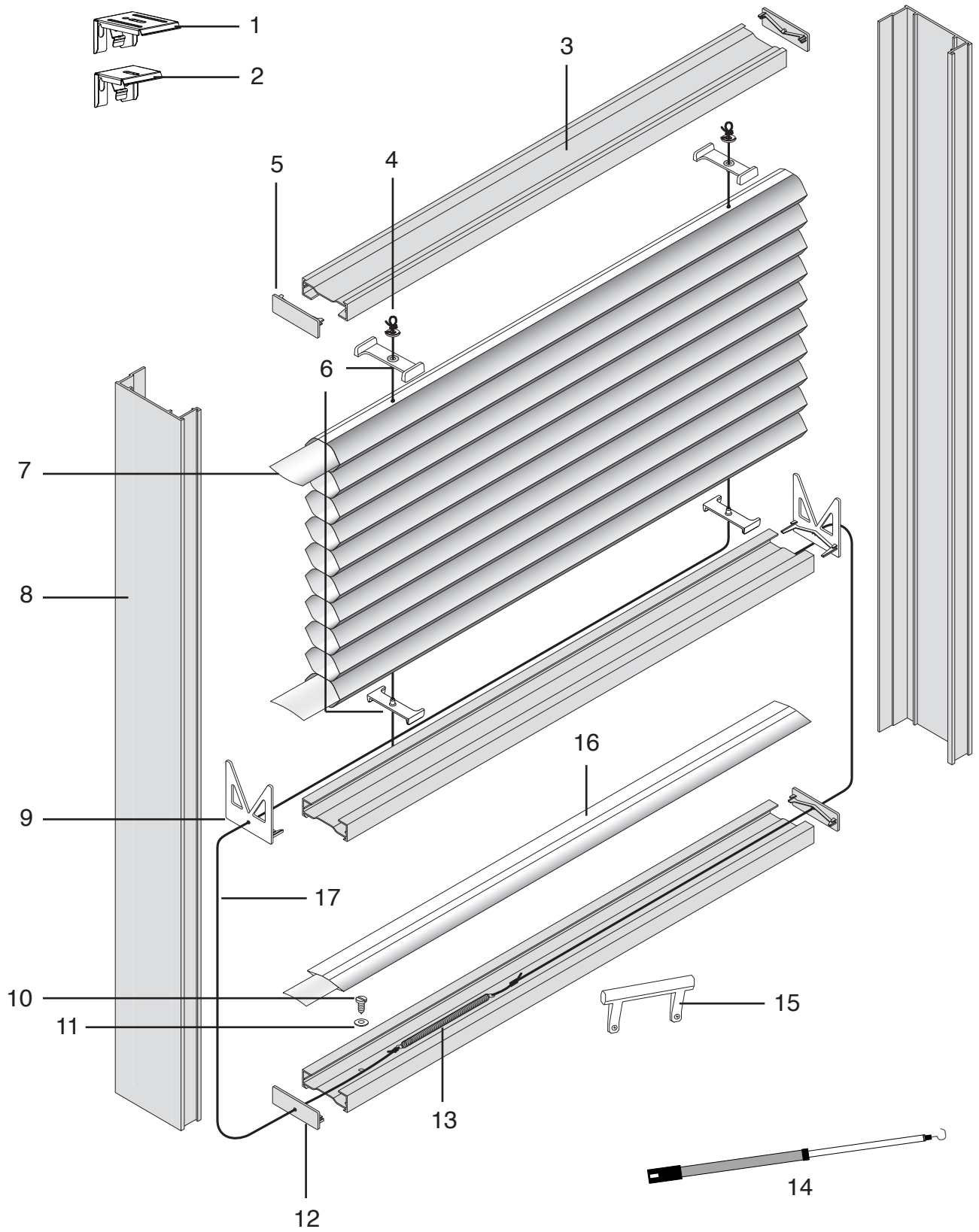
---

## PRODUCT COMPONENTS – CELLULAR VERTICAL APPLICATION

---

1. Headrail
2. Manual End Plate (Part #2991380000)
3. End Plate Screws (#8 x 3/4" Pan Head) (Part #2999019000)
4. Cord Tensioner (Part #2991281000)
5. Headrail Light Block Strip (Part #2780229002)
6. Rail Carrier (Front Rail, Black) (Part # 2991259000)
7. Rail Carrier (Rear Rail, Clear) (Part #2991260000)
8. Fabric Carrier (Part #2991237000)
9. Fabric Reinforcer (Part #2991238000)
10. Stationary Rail Bracket Assembly  
LH (Part #2991323000)  
RH (Part #2991324000)
11. Moving Rail Bracket Assembly  
LH (used with left fabric stacks) (Part #2991227000)  
RH (used with right fabric stacks) (Part #2991228000)
12. Vertical Rail End Cap  
3/4" (Part #2991226000)  
1-1/4" Rail (Part #2991225000)
13. Cord Guide Pin (Part #12991523000)
14. Vertical Rail
15. Handle Kit with Screws  
KIT2584 – Aspen White (785)  
KIT2670 – Silverado (276)  
KIT2589 – White Tiara (661)  
KIT2592 – Gardenia White (862)  
KIT2594 – Honey Bisque (882)  
KIT2591 – Dark Blonde (841)  
KIT2586 - Camel (082)  
KIT2587 – Cocoa (083)  
KIT2585 – Mushroom (810)  
24-119 – Hybrid (Clear)
16. Vertical Rail Light Block Strip (Part # 2991319-COLOR)
17. Set Screw (4-40 x 1/4") (Part #2999137000)
18. Filler Strip  
3/4" (Part #1000002)  
1-1/4" (Part #2971311000)
19. Fabric
20. Cord Guide (Part #2991290000)
21. Cord (Part #1003020)
22. Valance Corner End Caps  
Black (Part #1031831)  
Camel (Part #1031837)  
Cocoa (Part #1035257)  
Silverado (Part #1031674)  
White Tiara (Part #1031671)  
Aspen White (Part #1031675)  
Mushroom (Part #1031830)  
Dark Blonde (Part #1031677)  
Gardenia White (Part #1031672)  
Honey Bisque (Part #1031678)
23. Valance
24. Cord Wrapper (Part #2991379000)
25. Foam Stop (IB Shades Only) (Part #2991497000)
26. Cord Washer (Part #2930130000)
27. Installation Bracket  
2 Pack (Part #KIT2764)  
3 Pack (Part #KIT2765)
28. Spacer Blocks  
2 Pack (Part #KIT2511)  
3 Pack (Part #KIT2512)
29. Extension Bracket Kit  
2 Pack (Part #KIT2013)  
3 Pack (Part #KIT2014)
30. Stationary Rail Bracket Screw Kit (Part #KIT2757)
31. Valance Splice Kit (Part #KIT2730)
32. 1-1/4" Valance Clip  
2 Pack (Part #KIT2596)  
3 Pack (Part #KIT2618)  
4 Pack (Part #KIT2713)
33. 3/4" Valance Clip  
2 Pack (Part #KIT2595)  
3 Pack (Part #KIT2617)  
4 Pack (Part #KIT2712)
34. Stationary Rail Bracket (Part #KIT2490)  
  
Not shown  
Rail Magnet (Part #2993979000)  
Rail Magnet Holder (Part #2991240000)

# PRODUCT COMPONENTS – SKYLIGHT



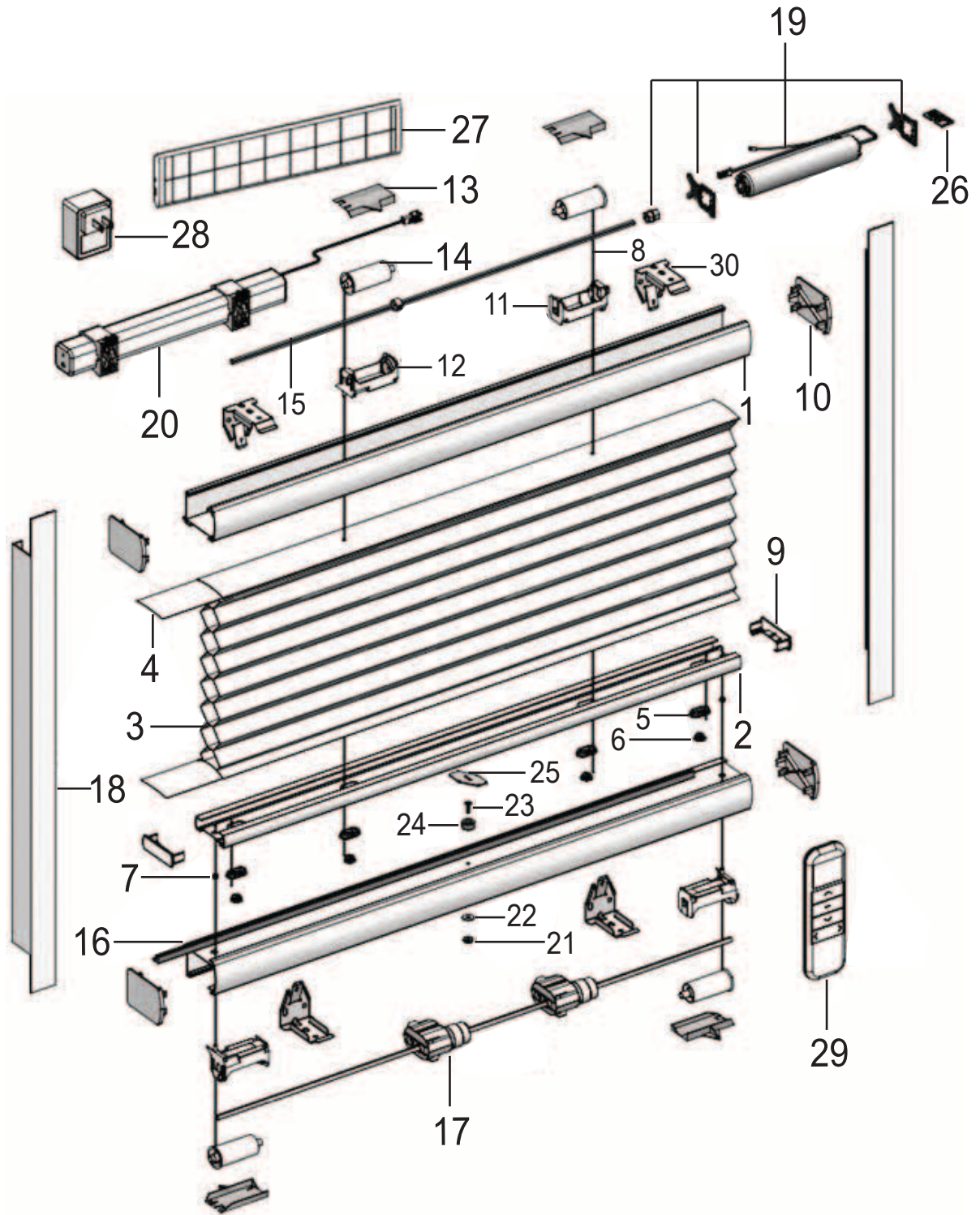
---

## PRODUCT COMPONENTS – SKYLIGHT

---

1. Standard Installation Bracket 3/8" Part #KIT-38HC-STD (2PK)
2. Standard Installation Bracket 3/4" Part #KIT-34HC-STD (2PK)
3. Aspen White Aluminum Rail  
3/4" (Part #72-21-0785)
4. Washer (Part #2980043000)
5. Headrail End Cap  
3/4" (Part #2970020785)
6. Cord Guide  
3/4" (Part #2970300000)
7. Filler Strip  
3/4" (Part #42500110C)
8. Specialty Side Track (Part #2980042785)
9. Specialty End Cap  
3/4" (Part #2980040000)
10. Cord Clamping Screw (Part #2980044000)
11. Cord Clamping Washer (Part #2980043000)
12. Bottomrail End Cap  
3/4" (Part #2970020785)
13. Specialty Spring (Part #2980035000)
14. Optional Extension Pole Extends 5' to 10' (Part #400036-81511)
15. Handle (Part #2980048785)  
Handle Screw (Part #2980049785)
16. Fabric Gasket
17. 1.2 MM Cord (Part #5009085959)

PRODUCT COMPONENTS – SKYLIGHT BLISS



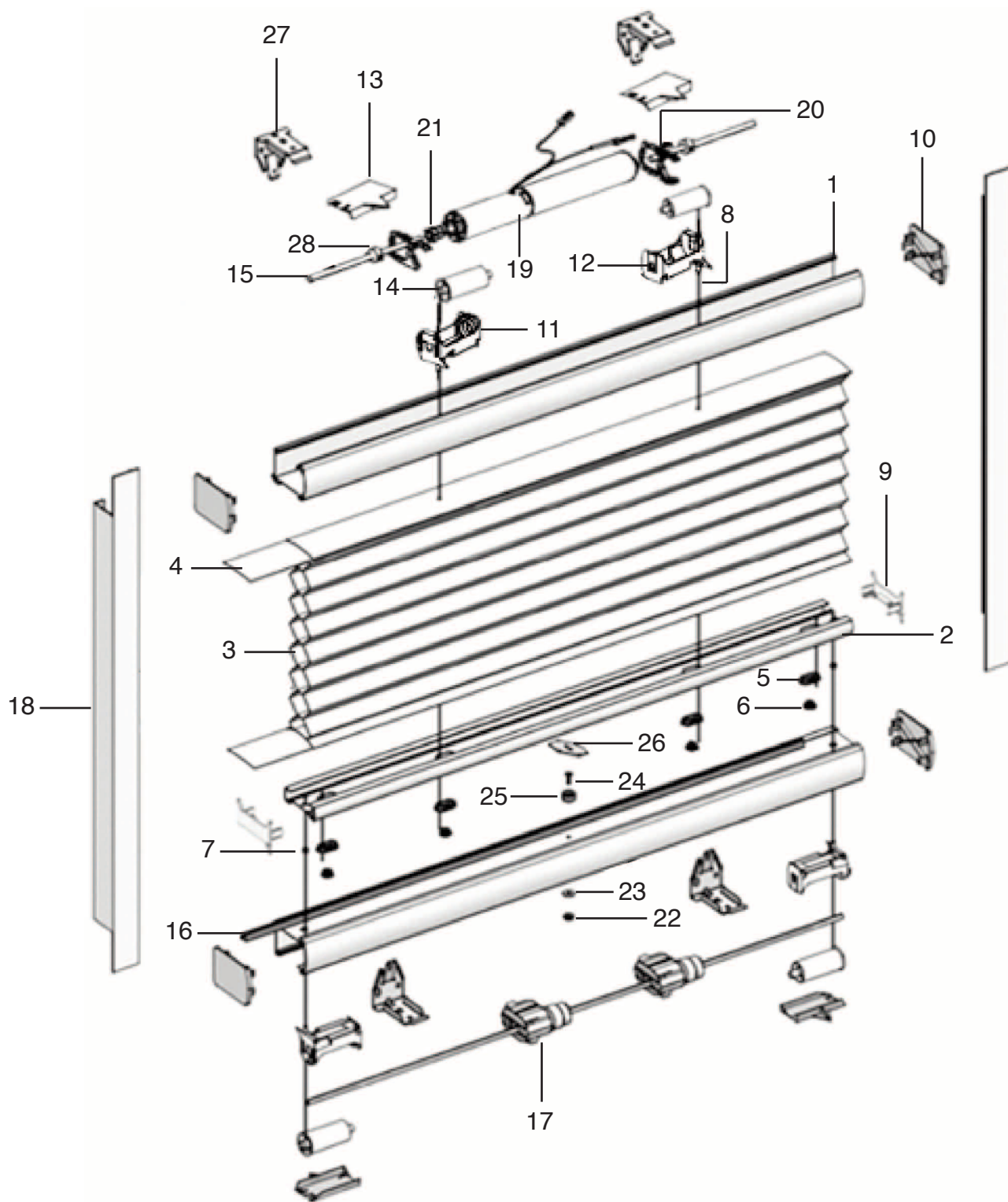
---

## PRODUCT COMPONENTS – SKYLIGHT BLISS

---

1. HR SMTH MOD 2.10 UNIV HCCLCC White Tiara (Part #90-80-0661)
2. RAIL STD CMTX 3/4 White Tiara (Part #XUR66116)
3. Fabric
4. FILLER STRIP Duet Appls Acclm 3/4in AL (Part #42500110C)
5. Shade Adjust - Base Clr/5K CAR rev 7.14. (Part #12-129A)
6. Shade Adjust - Spool Clear/5K CAR (Part #12-128A)
7. EYELET HC Pltd (Part #2980037000)
8. CORD .9 MM (Part #1851771)
9. END CAP 3/4 CMTX MOD LL WHITE TIARA (Part #19-183-661)
10. HDRL END CAP UNIV RAIL White Tiara (Part #4024954661)
11. COMMON HR LIFT SPOOL SUPPORT (Part #2780033000)
12. SPOOL HOUSING LH (Part #2965980000)
13. SPOOL SUPPORT COVER CORDLESS ULTRA IV (Part #CS4052)
14. SPOOL;HONEYCOMB;COMMON HR ASA;DARK GRAY (Part #1019884)
15. STEEL V-SHAFT ROD FOR COMMON HEADRAIL -A (Part #2770004000)
16. .350"H KERF MOUNT FOAM FILLED SEAL WHITE (Part #CS650W)
17. SIMPLEX MOTOR BROWN NO BRAKE (Part #500200000)
18. TRACK RETAINER BRIGHT WHITE 8 FT (Part #CS2400BW)
19. MOTOR;BLISS;CELL;SingleDr;0.6Nm;50r (Part #62006000)  
(Note: Motor includes mount and shaft adapters)
20. BATPK;BLISS;5v2.6AhLi-ion;Rechrgeable (Part #62203000)
21. 6-32 5/16W 1/8H NYLON INSERT HEX LOCK (Part #CS5471)
22. FLAT WASHER 18-8 STAINLESS STEEL (Part #CS5473)
23. 6-32 7/16 FLAT HD PHILIPS MACHINE SCREW (Part #CS5474)
24. 3/8 DIA. ROUND MAGNET FOR TOP RAIL (Part #CS5467)
25. Magnet Center Striker Plate TDBU Zinc Pl (Part #CS5476)
26. CABLE TIE MOUNTING BASE (Part #CS5201)
27. Solar Panel (Part #62201000)
28. Plug In Charger Kit (Part #1027720)
29. Bliss 15 Channel Remote Control (Part #1026655)
30. Installation Bracket  
(Part #KIT-CCCLHC-2PK (2PK))  
(Part #KIT-CCCLHC-3PK (3PK))

PRODUCT COMPONENTS – SKYLIGHT SOMFY





---

## PRODUCT COMPONENTS – SKYLIGHT SOMFY

---

1. Headrail
2. 3/4" Rail (Part # XUR66116)
3. Fabric
4. SYMPHONY BOTTOM STIFFENER (Part #CS1700)  
Aluminum Filler Strip 1 1/2 inch 1KFT RL (Part #1091830150)  
FILLER STRIP Duet Appls Acclm 3/4in AL (Part #2974000000)
5. Shade Adjust – Base (Part #12-129A)
6. Shade Adjust – Spool (Part #12-128A)
7. EYELET (Part #2980037000)
8. CORD;CC090002;NA;WHITE;00110;CRDLS .09MM (PCN #1851771)
9. EC;;HCSkylight;Motorized;Btm (Part #1022225)
10. HDRL END CAP UNIV RAIL White Tiara (Part #4024954661)
11. COMMON HR LIFT SPOOL SUPPORT (Part #2780033000)
12. Spool Housing LH (Part #2965980000)
13. SPOOL SUPPORT COVER (Part # CS4052)
14. SPOOL;HONEYCOMB;COMMON HR ASA;DARK GRAY  
(Part #1019884)
15. LIFT ROD V-SHAFT (Part #2770004000)
16. .350"H KERF MOUNT FOAM FILLED SEAL WHITE (Part # CS650W)
17. SIMPLEX BROWN MOTOR NO BRAKE-NEW WING (Part #1013872)
18. TRACK RETAINER BRIGHT WHITE 8 FT (Part # CS2400BW)
19. MOTOR;TL25;HC;CordLift;WF;RTS (Part #1035513)
20. ADAPTER;TL25;Headrail;HC (Part #1035615)
21. ADAPTER;TL25;Shaft;HC (Part #1035616)
22. 6-32 5/16W 1/8H NYLON INSERT HEX LOCK (Part # CS5471)
23. FLAT WASHER 18-8 STAINLESS STEEL (Part # CS5473)
24. 6-32 7/16 FLAT HD PHILIPS MACHINE SCREW (Part # CS5474)
25. 3/8 DIA. ROUND MAGNET FOR TOP RAIL (Part # CS5467)
26. Magnet Center Striker Plate TDBU Zinc PI (Part # CS5467PL-TDBU)
27. Installation Brackets  
Part # KIT-CCCLHC-2PK (2PK)  
Part #KIT-CCCLHC-3PK (3PK)
28. LOCKING COLLAR ASSY - NGPR (METAL) (Part #2920750000)  
  
Not Shown (Optional)  
BATPK;Lithium ion;Rechargeable (Part #1019535)  
Situo@ 1 RTS (Part #1019536)  
Situo@ 5 RTS (Part #1019537)  
12v DC Power Supply (Part #1822445)  
Lithium-Ion Charger (Part #9025166)