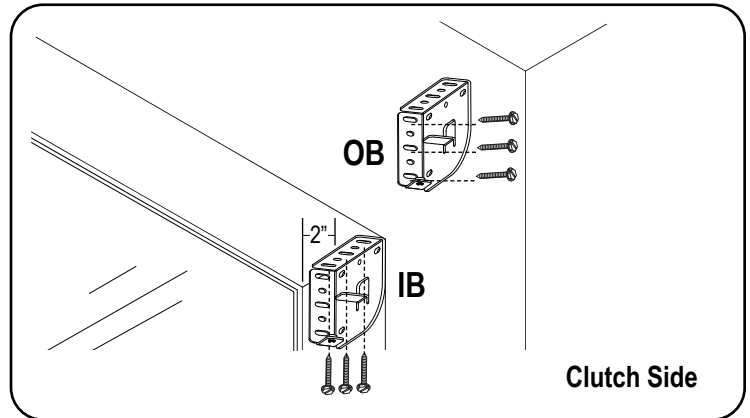
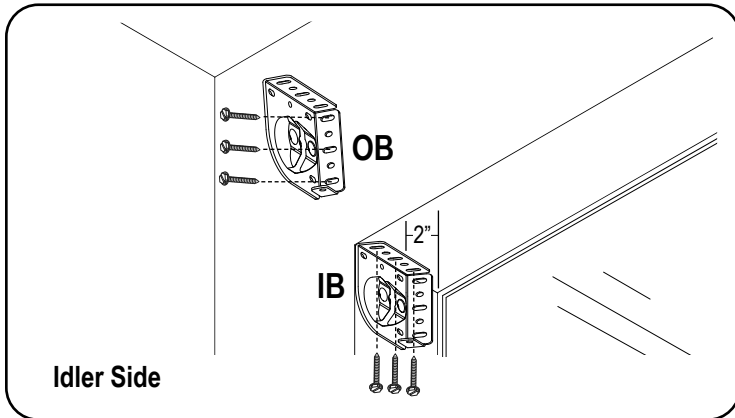


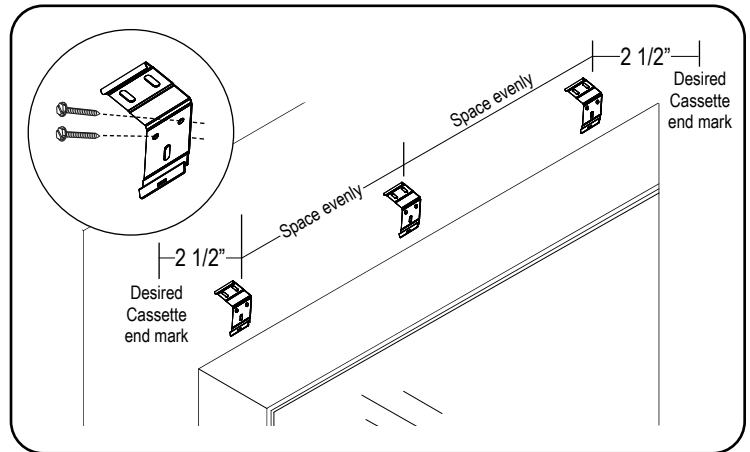
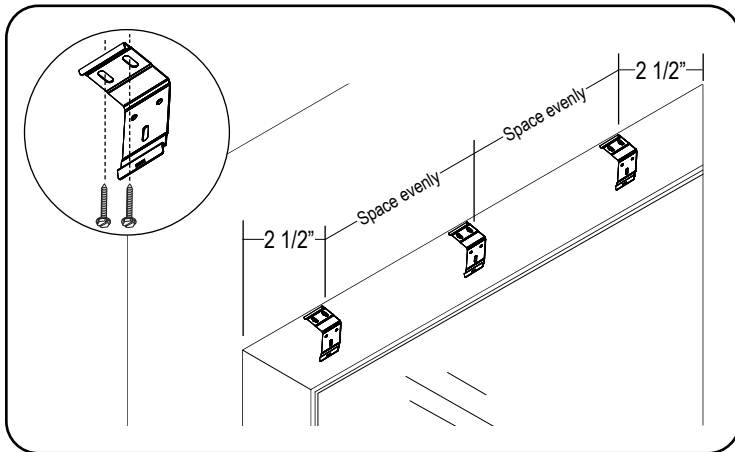
## 1a. Install the Brackets — Open Roll



**Inside Mount**, install the brackets level and aligned to each other, using the screws provided.

**Outside Mount**, center the shade over the window opening at the desired height and mark the end of the clutch side of the shade. Measure the width of the shade fabric, and mark the width of the fabric plus 1 1/4" from the previously marked mark.

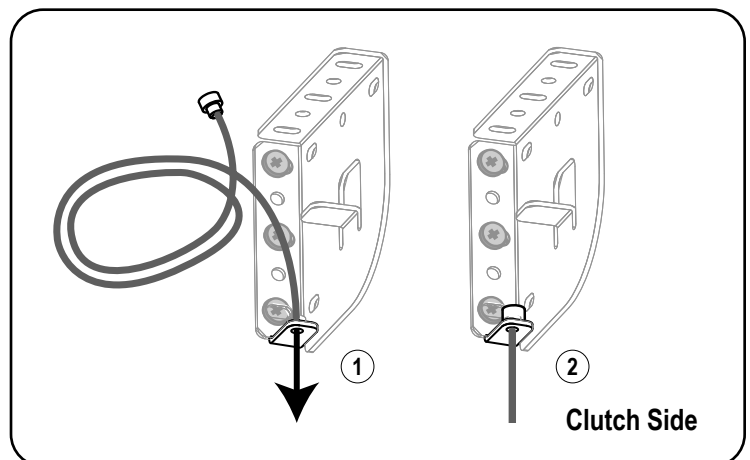
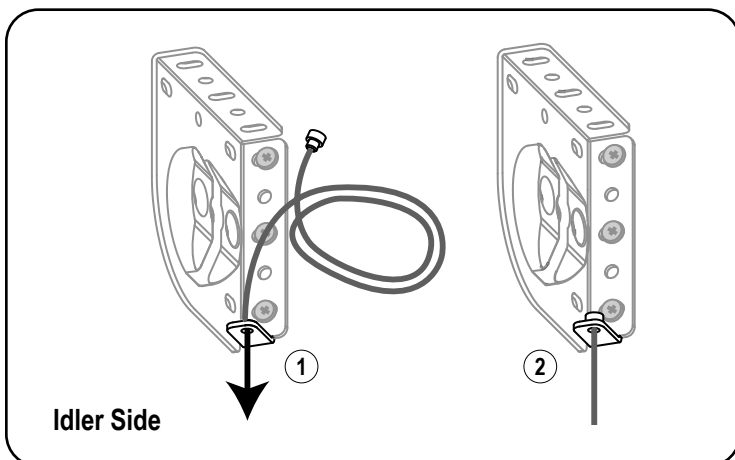
## 1b. Install the Brackets — Cassette



Inside mount (IB)

Outside mount (OB)

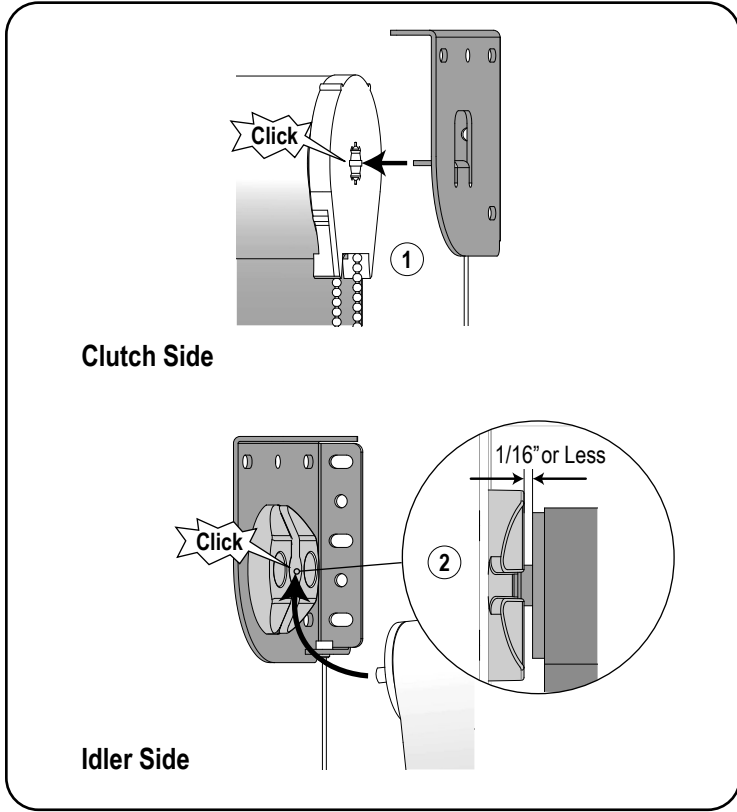
## 2. Install the Cables



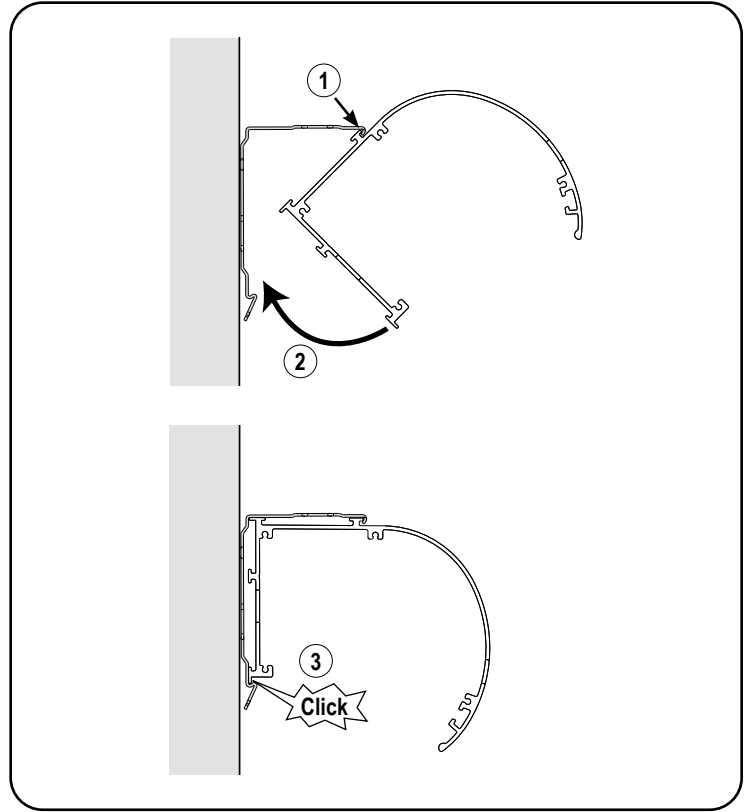
# INSTALLATION INSTRUCTIONS

## 3a. Install the Shade — Open Roll

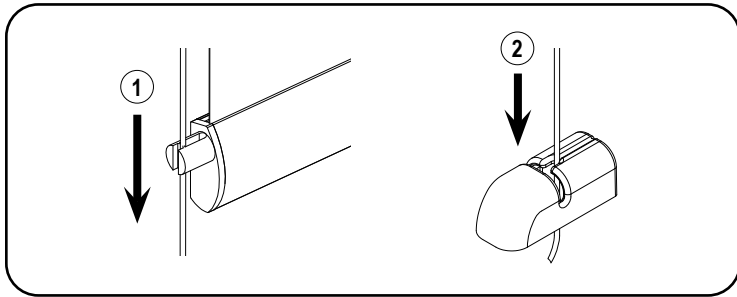
**Important:** Do not remove the paper banding used to prevent shade from unrolling prematurely until after the shade is installed.



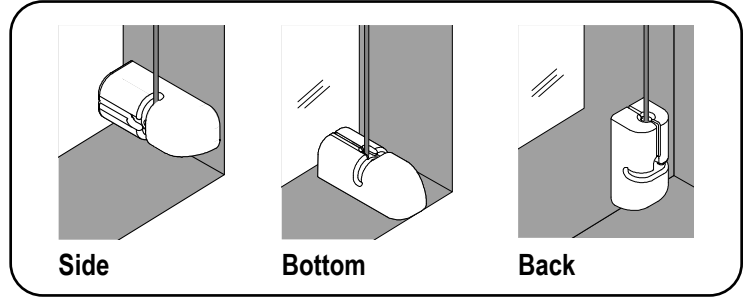
## 3b. Install the Shade — Cassette



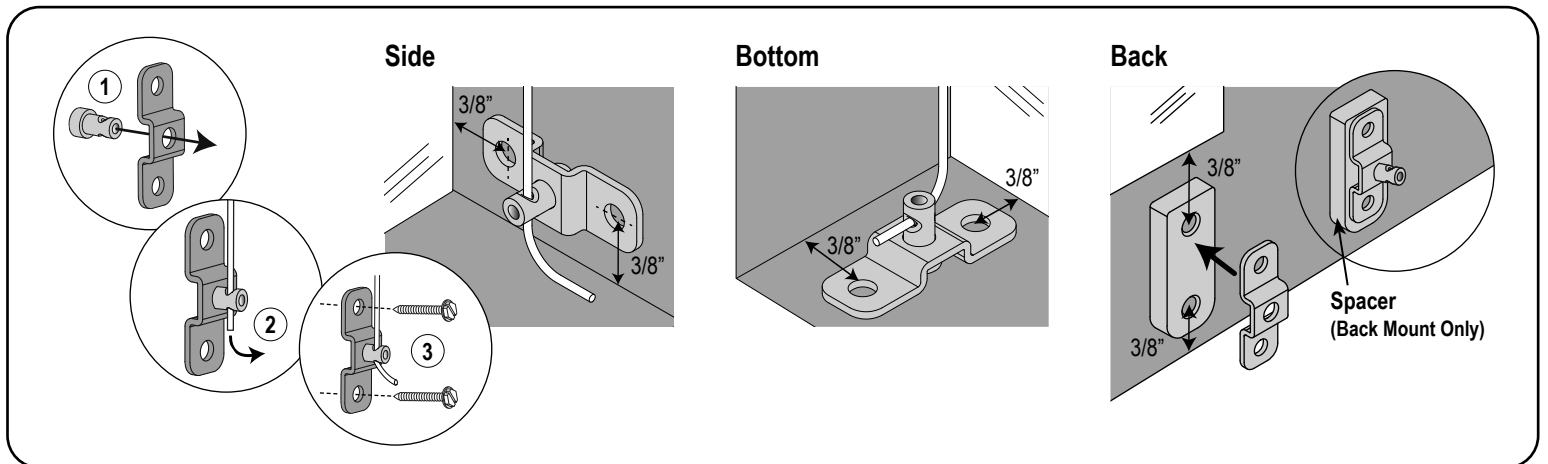
## 4. Thread the Cables



## 5. Define the Cable Hold-Down Brackets Position

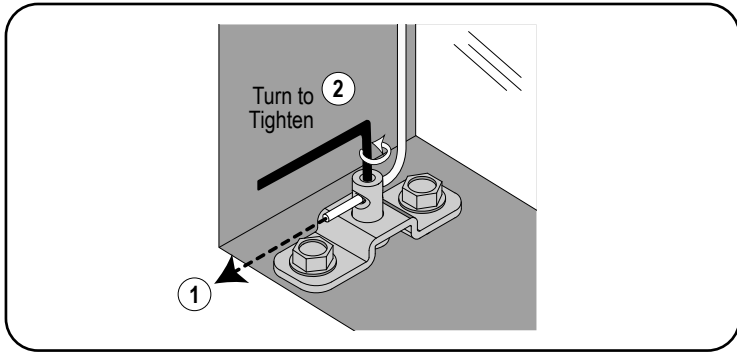


## 6. Install the Cable Hold-Down Brackets



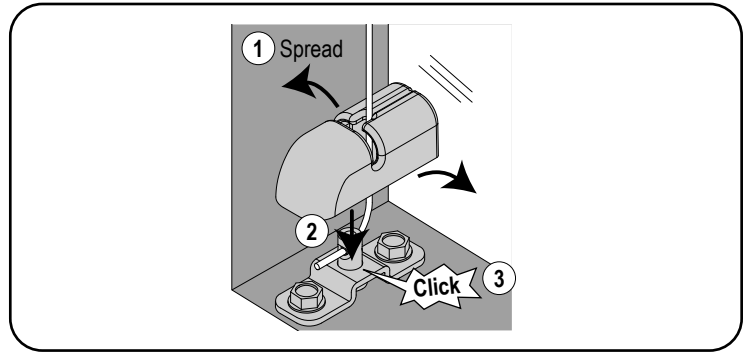
# INSTALLATION INSTRUCTIONS

## 7. Tighten Cables



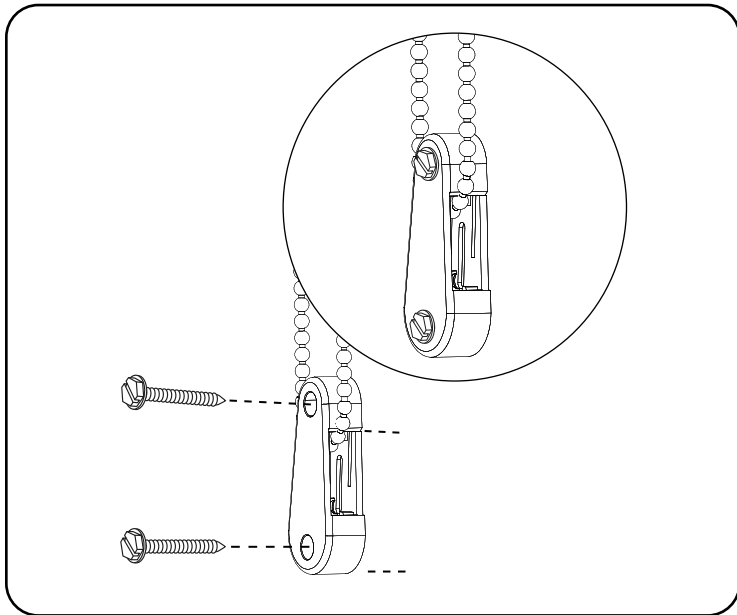
Pull the cable taut and tightening the set screw with an Allen wrench. Then, cut the excess cable.

## 8. Add Hold-Down Covers



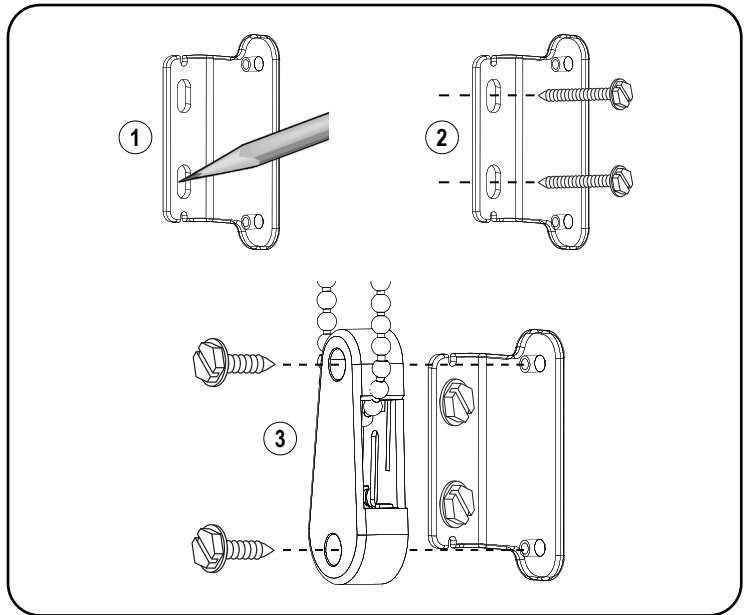
Slide the hold-down cover over the bracket with the cable in the top slot. Spread the cover apart to snap it into place.

## 9. Installing the Beaded Cord Tensioner



### Inside mount (IB)

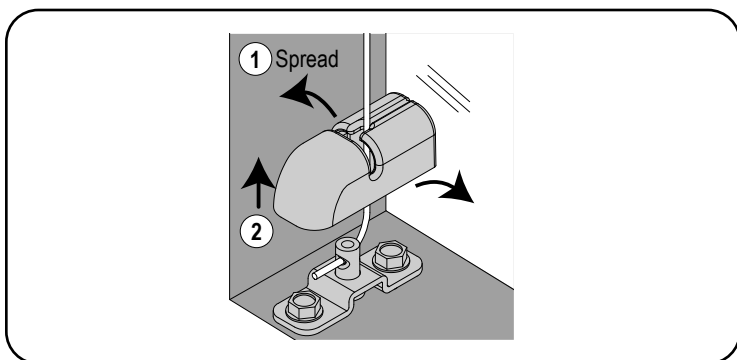
Pull tension device down until the chain is taut and then move the tension device up approximately 1/8". Mark the upper and lower screw hole and install the device with the screws provided. **Important:** Do Not Over-Tighten.



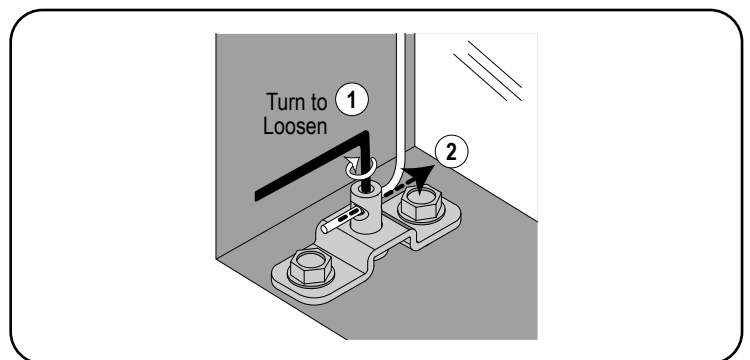
### Outside mount (OB)

## Removing the Shade (Only if Necessary)

### 1. Remove Hold-Down Covers



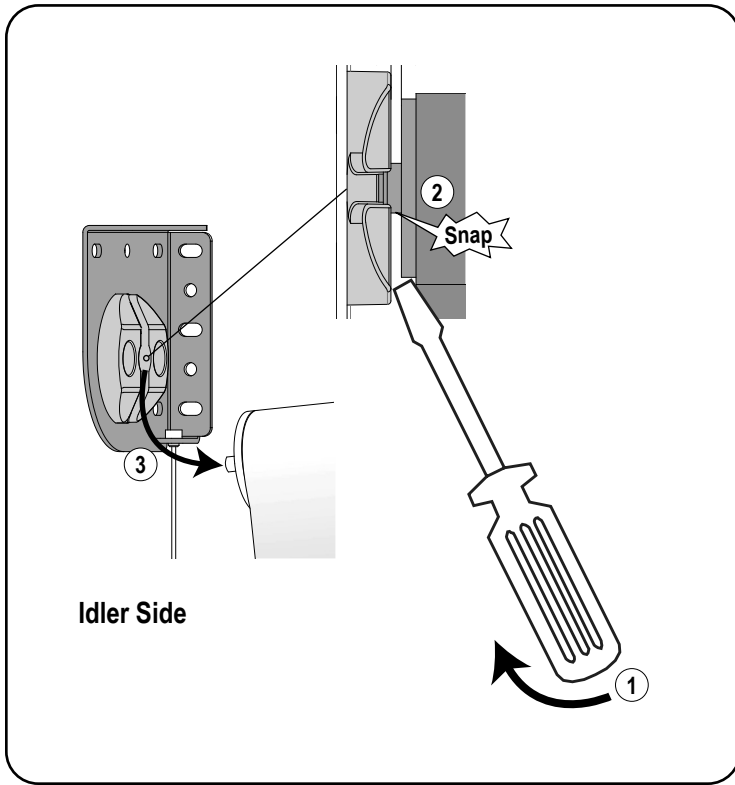
### 2. Loosen Cables and Remove Brackets



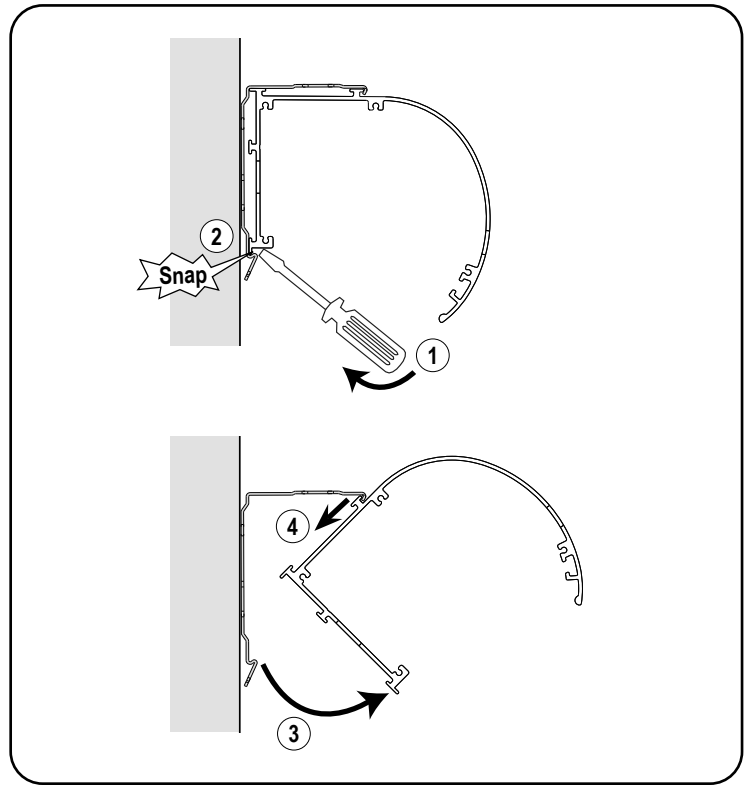
# INSTALLATION INSTRUCTIONS

## Removing the Shade (Only if Necessary)

### 3a. Remove the Shade — Open Roll



### 3b. Remove the Shade — Cassette



## Child Safety

Young children can **STRANGLE** in cord loops and in the loop above the cord stop. They can also wrap cords around their necks and **STRANGLE**.

- Always keep cords out of children's reach.
- Move cribs, playpens and other furniture away from cords. Children can climb furniture to get to cords.
- Do not tie cords together.
- Make sure cords do not twist together and create a loop.

<b>WARNING/ADVERTENCIA</b>	
5.1.3	Rev. 5/18 Print 5/18
	Window Blind Cord Can <b>STRANGLE</b> Your Child. To prevent strangulation, purchase cordless products or products with inaccessible cords.
	La cuerda de la persiana puede <b>ESTRANGULAR</b> a su niño. Para evitar el estrangulamiento, compre alternativas cuerda o productos con cuerdas inaccesibles.

### Beaded Cord Loop Shades

- Attach the tensioner to the wall or window casement. See Installing the Beaded Cord Tensioner. This can prevent children from pulling cord loops around their necks.
- A tensioner installation kit with instructions for attaching the tensioner is provided. For the shade to operate properly, the tensioner must be correctly mounted and secured. See tensioner instructions provided for details.
- Only the supplied tensioner(s) and hardware should be used.

