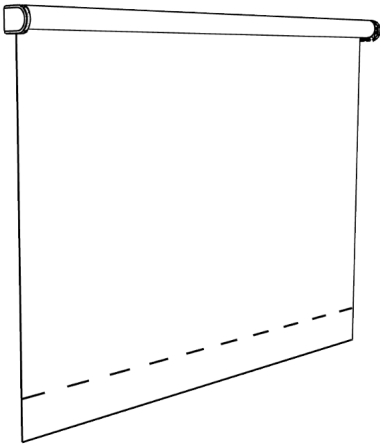
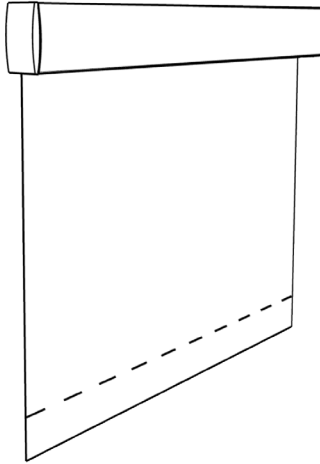


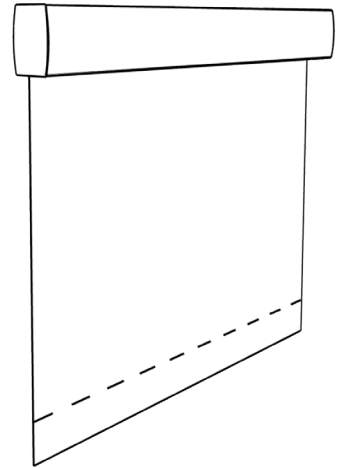
Open Roll



Deco Fascia



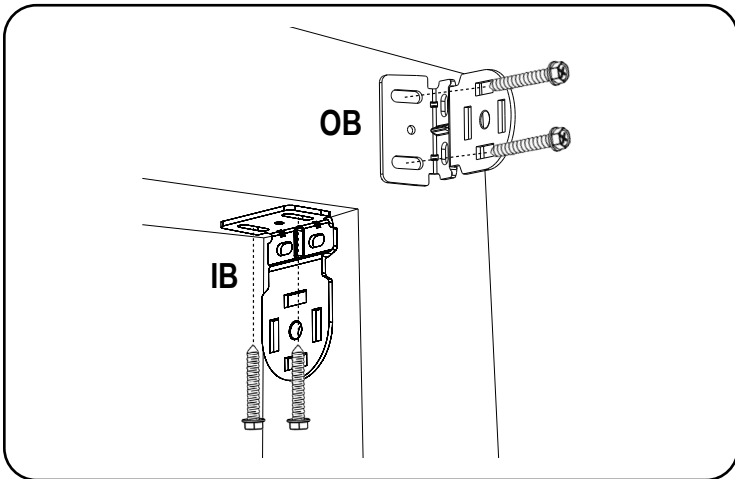
Contoured Valance



Important: Prior to installing the shade, attach the external battery pack to the motor (see *Attach the External Battery*) and pair the remote using the instructions included with the remote.

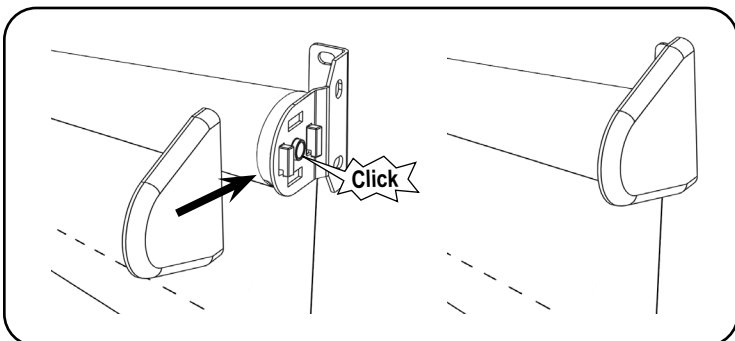
Motorized with Open Roll

1. Install the Brackets

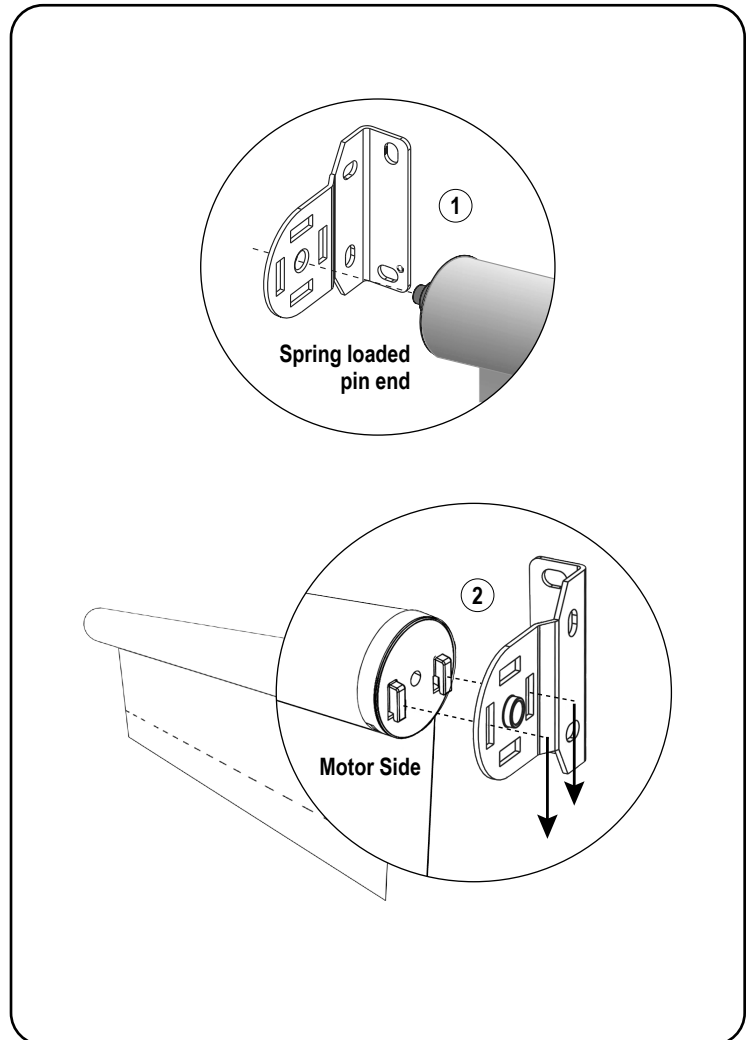


Secure the roller shade installation brackets with the supplied screws. If shade was ordered as outside mount (OB), attach the supplied screw covers on to the bracket for a finished look.

3. Install the Bracket Covers



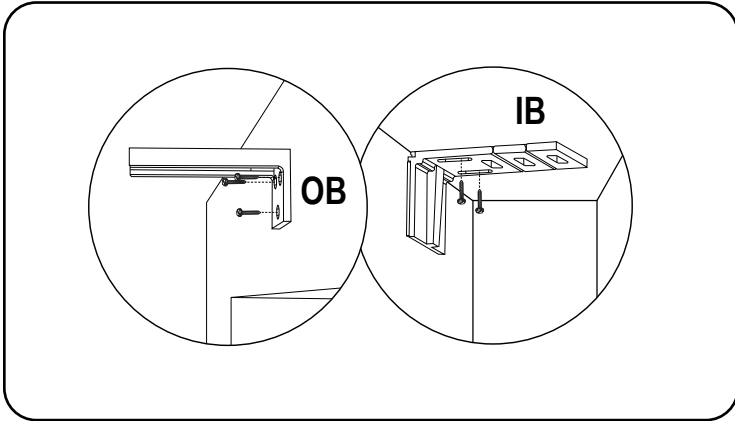
2. Install the Shade



INSTALLATION INSTRUCTIONS

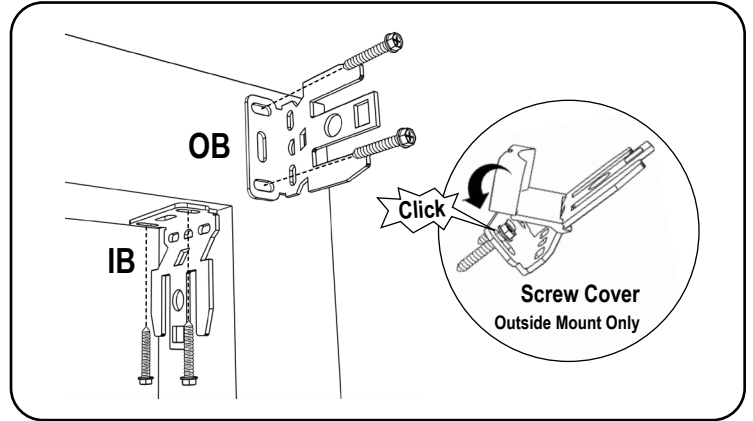
Motorized with Deco Fascia

1. Install the Fascia Brackets



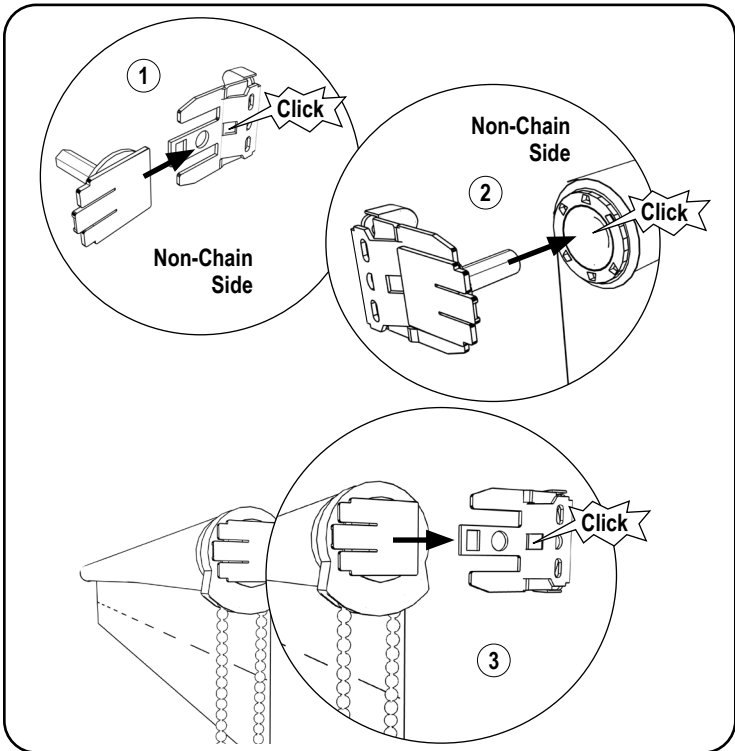
Outside mount (OB) requires a T-Bracket installation. Space brackets evenly.
Note: Do not attach the Deco Fascia until the shade has been installed.

2. Install the Brackets

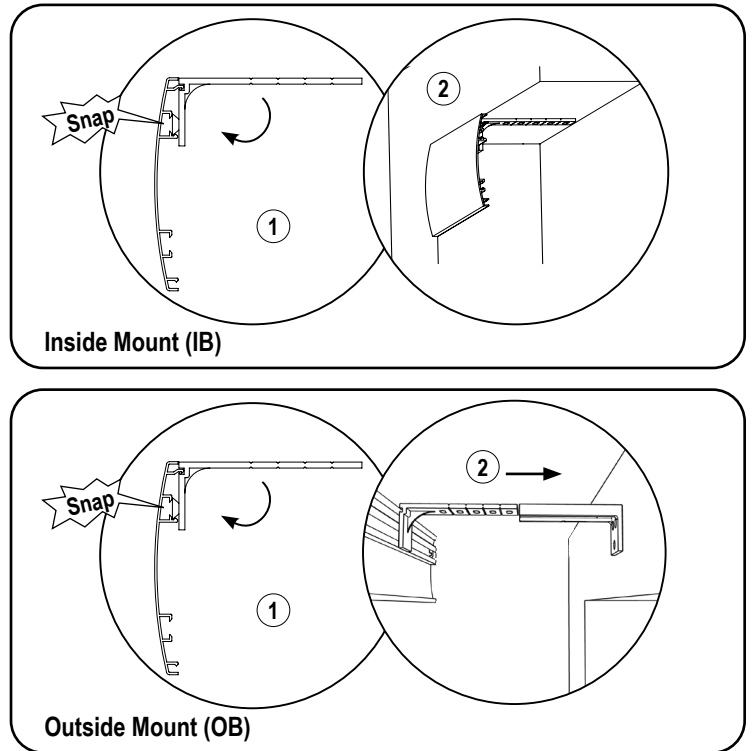


Secure the roller shade installation brackets with the supplied screws. If shade was ordered as outside mount (OB), attach the supplied screw covers on to the bracket for a finished look.

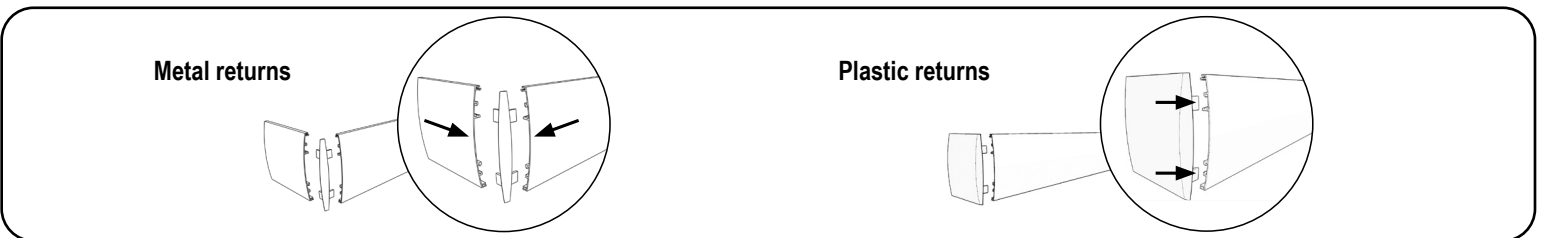
3. Install the Shade



4. Install the Deco Fascia



5. Install the Returns (Optional)

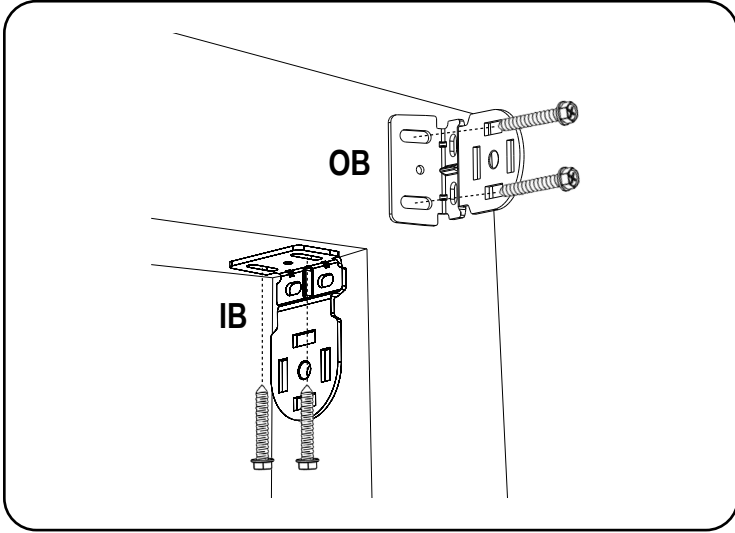


Metal returns (Outside mount only) include a plastic corner connector. **Plastic returns** (Inside mount with Outside Mounted fascia) snap on the end of the fascia.

INSTALLATION INSTRUCTIONS

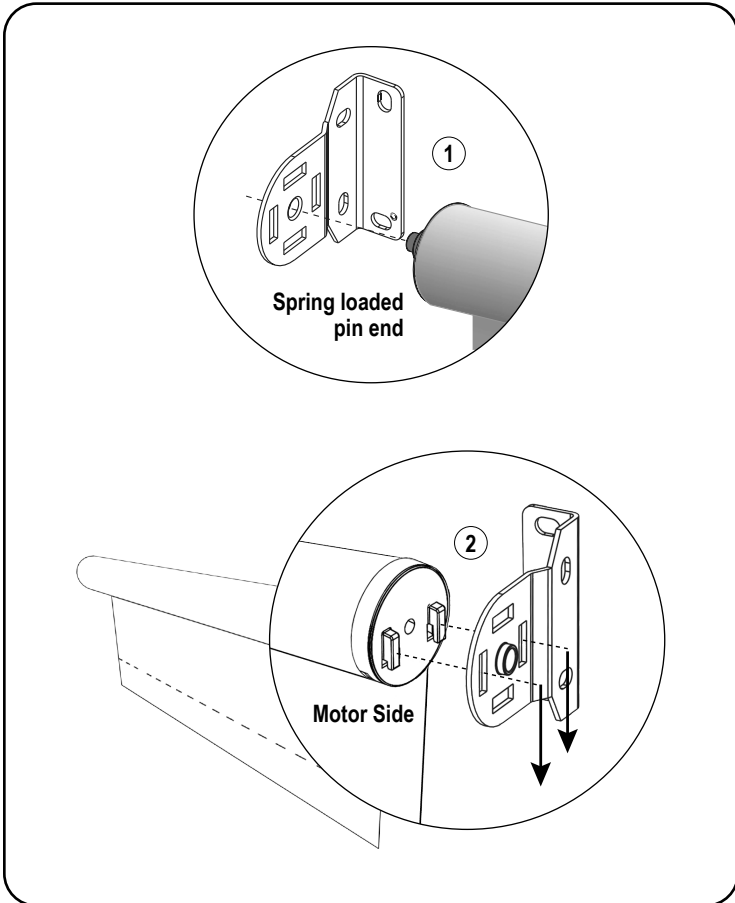
Motorized with Contoured Valance

1. Install the Brackets



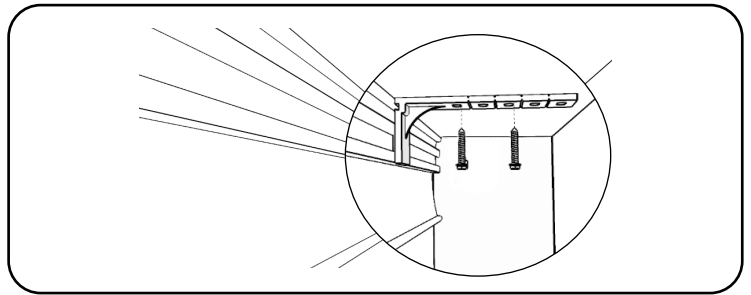
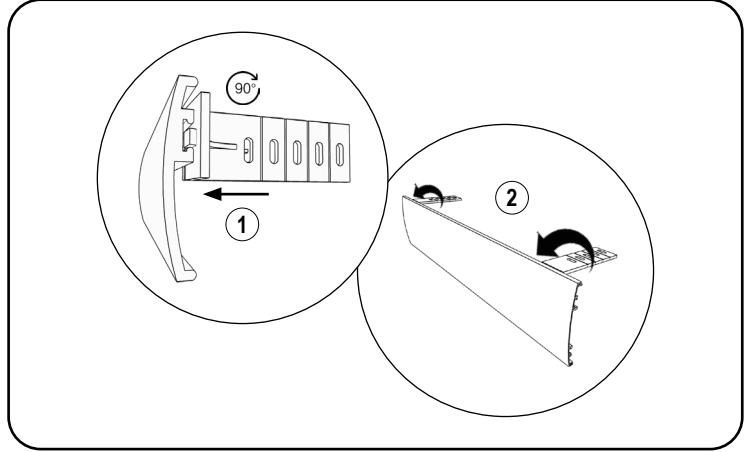
Secure the roller shade installation brackets with the supplied screws. If shade was ordered as outside mount (OB), attach the supplied screw covers on to the bracket for a finished look.

3. Install the Shade

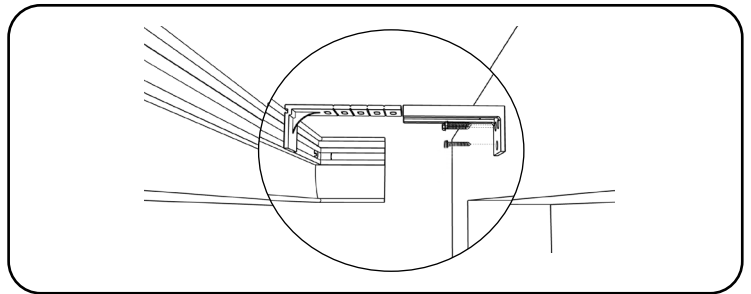


2. Install the Valance Brackets

Note: Prior to installing the installation brackets to the wall, insert the valance onto each installation bracket.

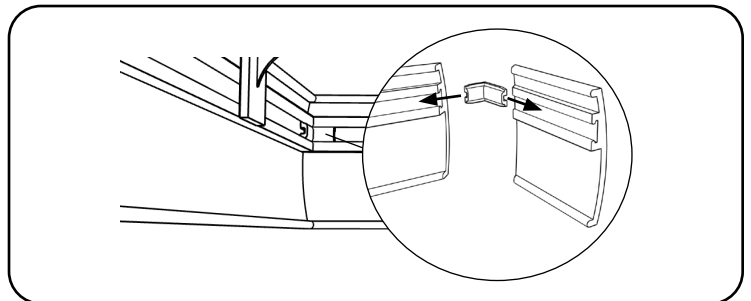


Inside Mount (IB)



Outside Mount (OB)

4. Install the Return (Outside Mount Only - Optional)



INSTALLATION INSTRUCTIONS

Programming Instructions

Refer to programming instructions included with your operating option.

Attach the External Battery

The external battery must be attached to the motor prior to use. The motor to battery cable has a smaller two pronged attachment, which protrudes from the motor. Find the corresponding attachment running out one end of the battery and connect the attachment to the cable protruding from the motor.

The battery has an on-board Micro-USB port that connects to the battery charger kit's 4M wire. There is an optional 8" and 48" extension wire that can extend the reach of the charger kit that may be purchased separately. The battery can either be attached to the back of the headrail using the wire clips connected to the mounting brackets or attached to the window frame in a discreet location.

Child Safety

 WARNING/ADVERTENCIA	
5.1.3	Rev. 5/18 Print 5/18
	Window Blind Cord Can STRANGLE Your Child. To prevent strangulation, purchase cordless products or products with inaccessible cords.
	La cuerda de la persiana puede ESTRANGULAR a su niño. Para evitar el estrangulamiento, compre alternativas cuerda o productos con cuerdas inaccesibles.

