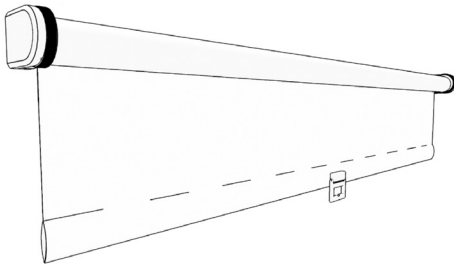
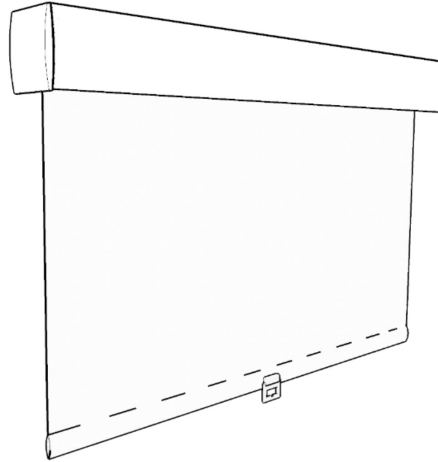


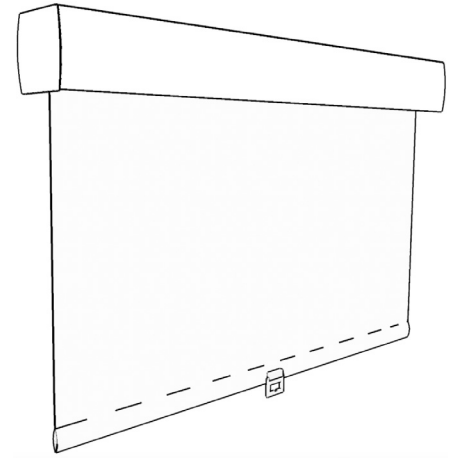
Open Roll



Deco Fascia

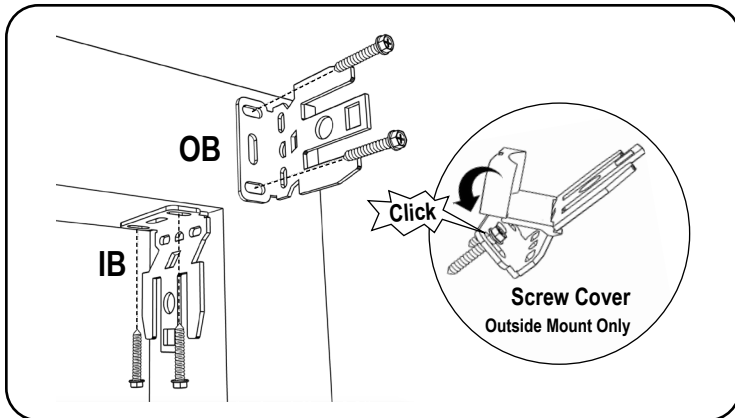


Contoured Valance



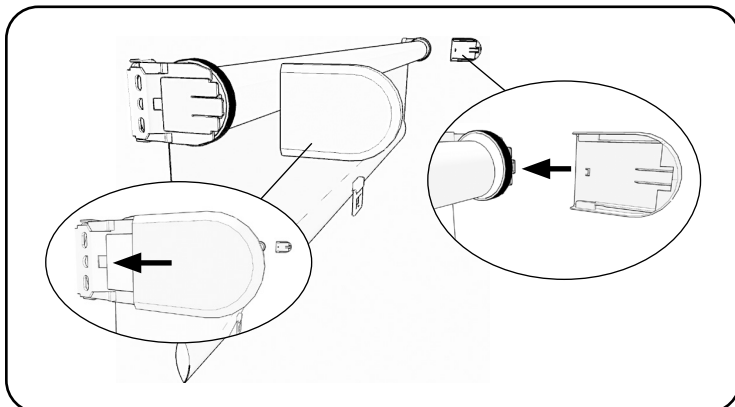
Cordless Operated with Open Roll

1. Install the Brackets

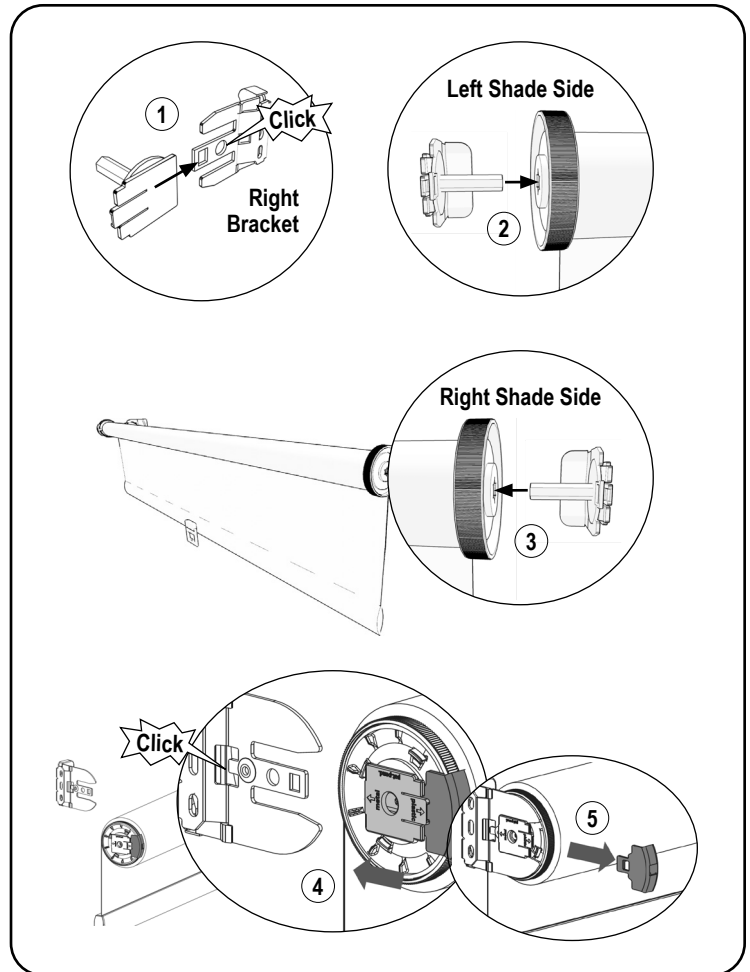


Secure the roller shade installation brackets with the supplied screws. If shade was ordered as outside mount (OB), attach the supplied screw covers on to the bracket for a finished look.

3. Install the Bracket Covers



2. Install the Shade

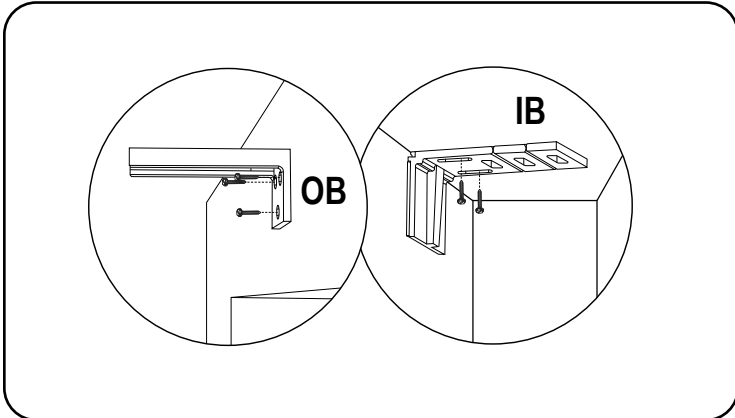


DO NOT REMOVE THE RED PLASTIC CLIP. IT WILL DISENGAGE ONCE THE BRACKET HAS BEEN INSTALLED.

INSTALLATION INSTRUCTIONS

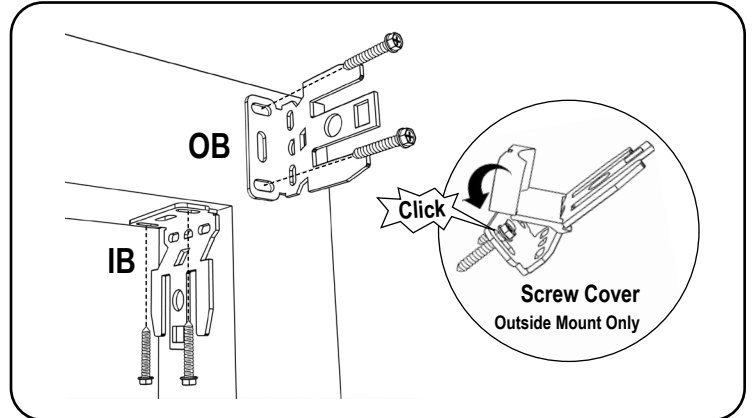
Cordless Operated with Deco Fascia

1. Install the Fascia Brackets



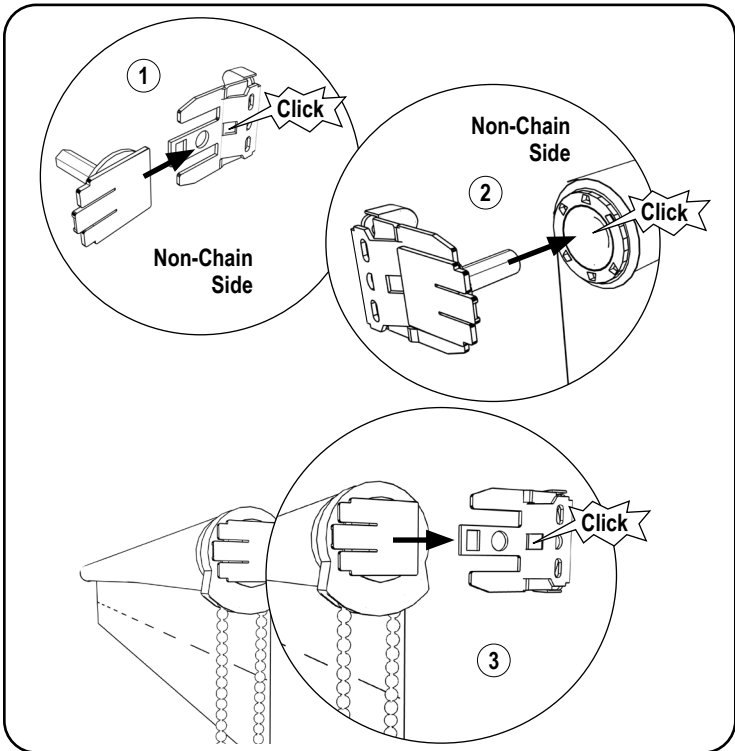
Outside mount (OB) requires a T-Bracket installation. Space brackets evenly.
Note: Do not attach the Deco Fascia until the shade has been installed.

2. Install the Brackets

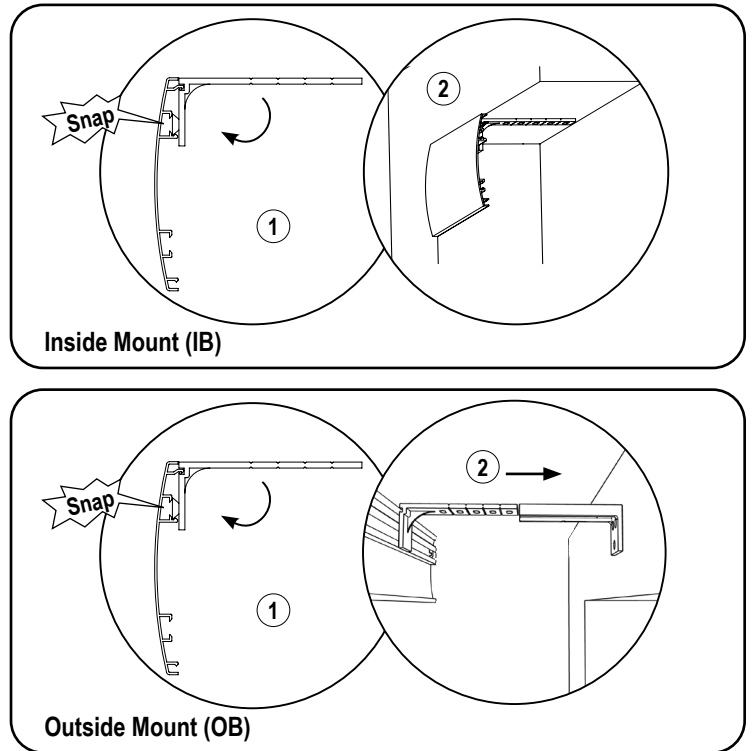


Secure the roller shade installation brackets with the supplied screws. If shade was ordered as outside mount (OB), attach the supplied screw covers on to the bracket for a finished look.

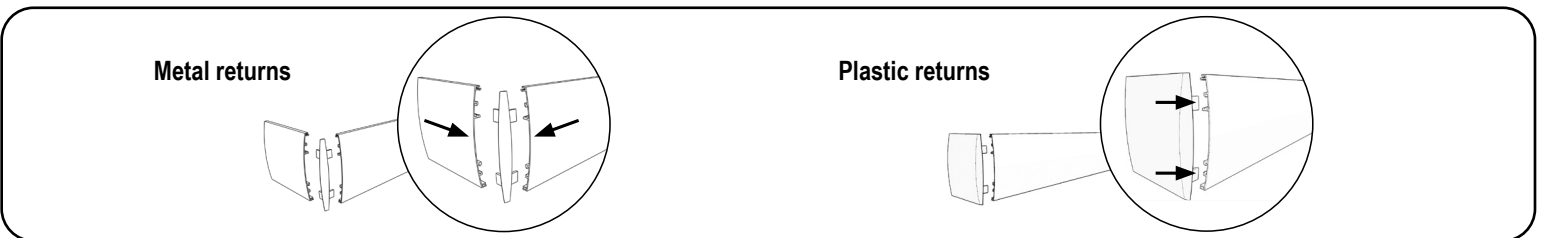
3. Install the Shade



4. Install the Deco Fascia



5. Install the Returns (Optional)

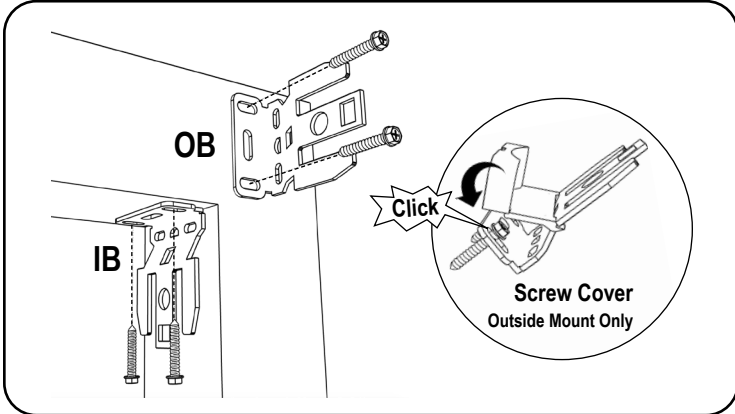


Metal returns (Outside mount only) include a plastic corner connector. **Plastic returns** (Inside mount with Outside Mounted fascia) snap on the end of the fascia.

INSTALLATION INSTRUCTIONS

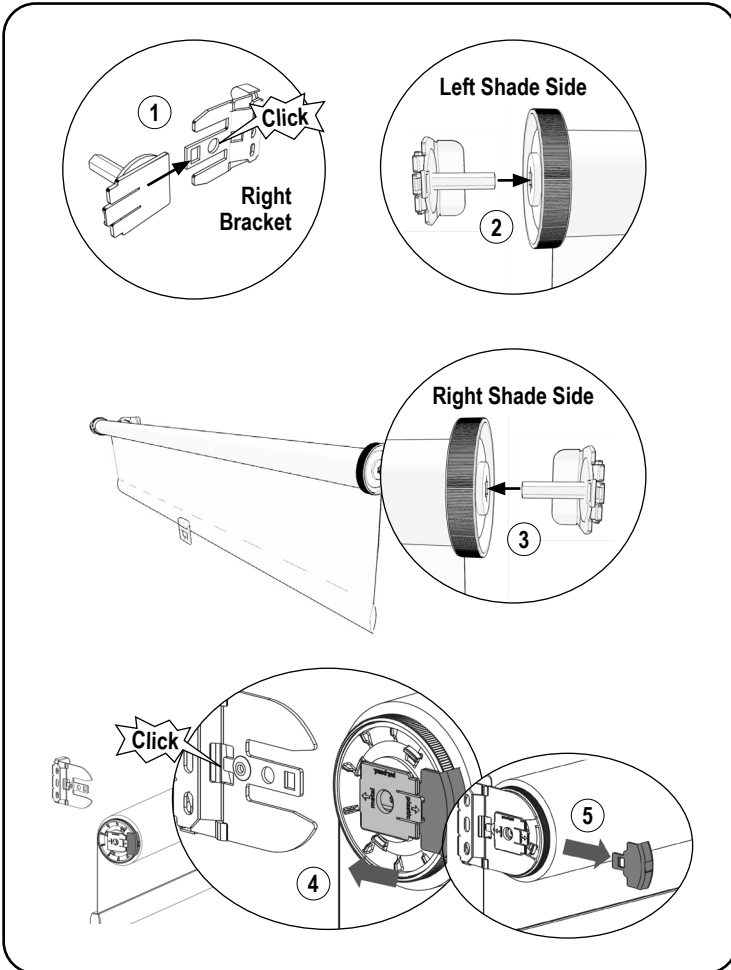
Cordless Operated with Contoured Valance

1. Install the Brackets



Secure the roller shade installation brackets with the supplied screws. If shade was ordered as outside mount (OB), attach the supplied screw covers on to the bracket for a finished look.

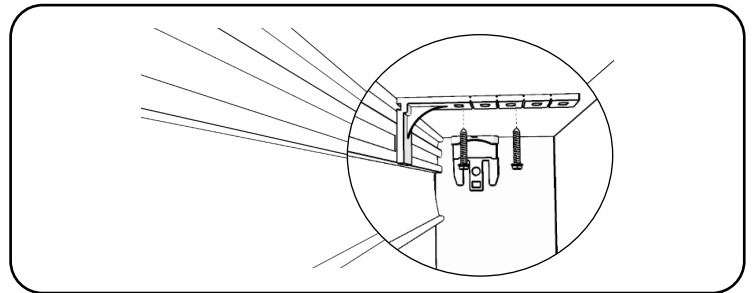
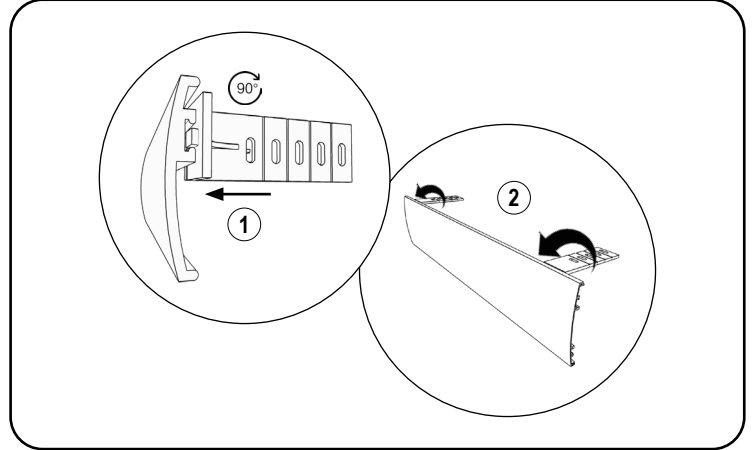
3. Install the Shade



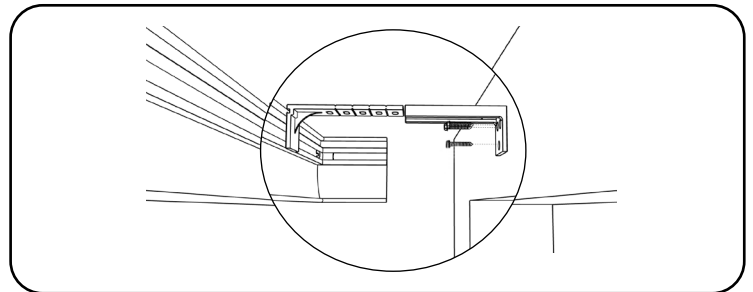
DO NOT REMOVE THE RED PLASTIC CLIP. IT WILL DISENGAGE ONCE THE BRACKET HAS BEEN INSTALLED.

2. Install the Valance Brackets

Note: Prior to installing the installation brackets to the wall, insert the valance onto each installation bracket.

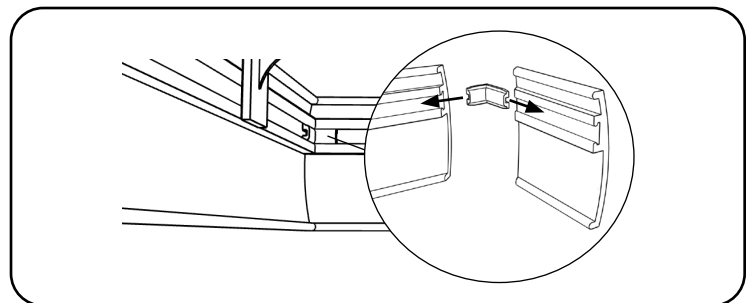


Inside Mount (IB)



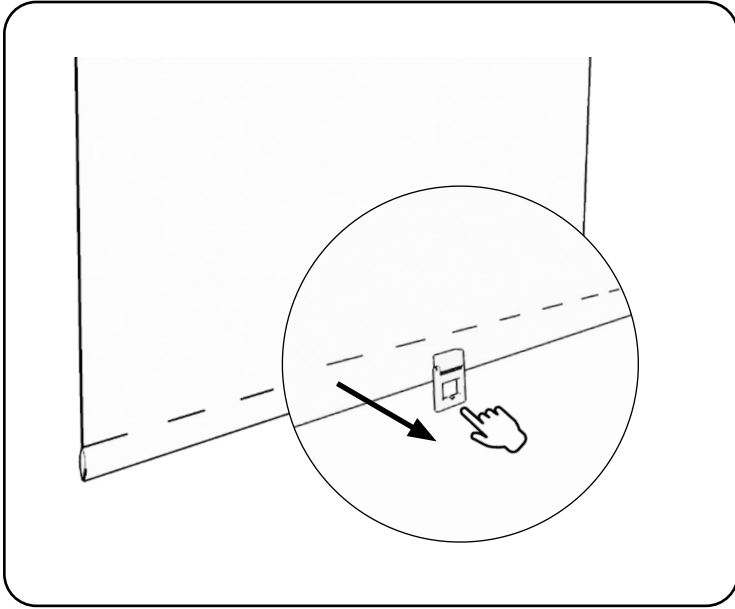
Outside Mount (OB)

4. Install the Return (Outside Mount Only - Optional)



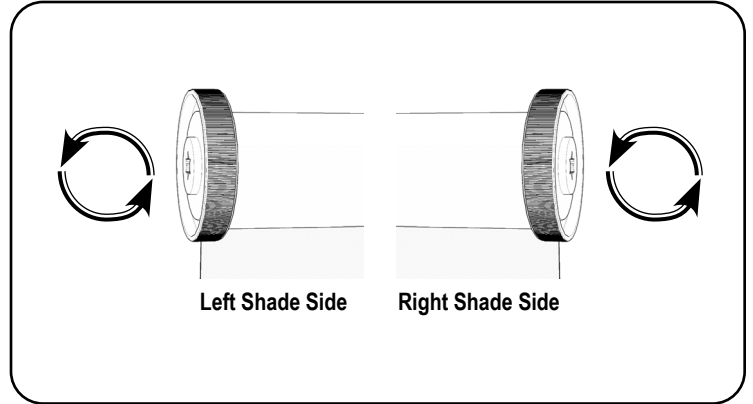
INSTALLATION INSTRUCTIONS

Operate the Cordless Shade



Pull the bottom handle and let go to lock it into the desired length.

Adjust the Tensioner



To **lower tension or speed**, turn the left side wheel towards the back of the shade. To **add tension or speed**, turn the left side wheel towards the front of the shade while holding the bottomrail.

To **shorten the length** of the shade, turn the right side wheel towards the front of the shade. To **lengthen the shade**, turn the right side wheel towards the back of the shade.

Child Safety

Young children can **STRANGLE** in cord loops and in the loop above the cord stop. They can also wrap cords around their necks and **STRANGLE**.

- Always keep cords out of children's reach.
- Move cribs, playpens and other furniture away from cords. Children can climb furniture to get to cords.
- Do not tie cords together.
- Make sure cords do not twist together and create a loop.

WARNING/ADVERTENCIA	
5.1.3	Rev. 5/18 Print 5/18
	Window Blind Cord Can STRANGLE Your Child. To prevent strangulation, purchase cordless products or products with inaccessible cords.
	La cuerda de la persiana puede ESTRANGULAR a su niño. Para evitar el estrangulamiento, compre alternativas cuerda o productos con cuerdas inaccesibles.

