

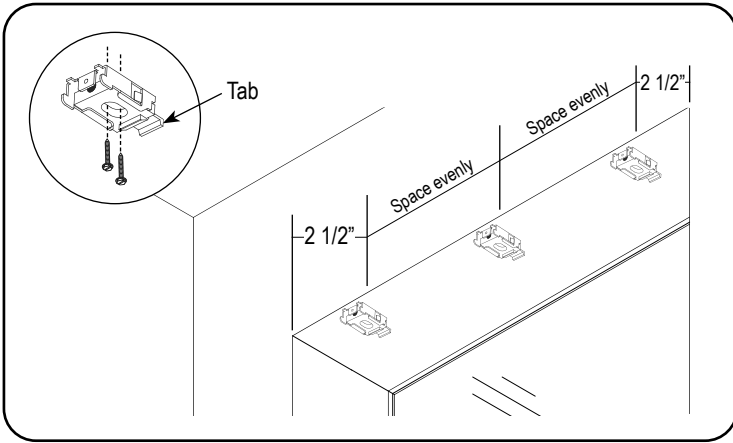
INSTALLATION INSTRUCTIONS

ROLLER SHADES (SKYLINE)

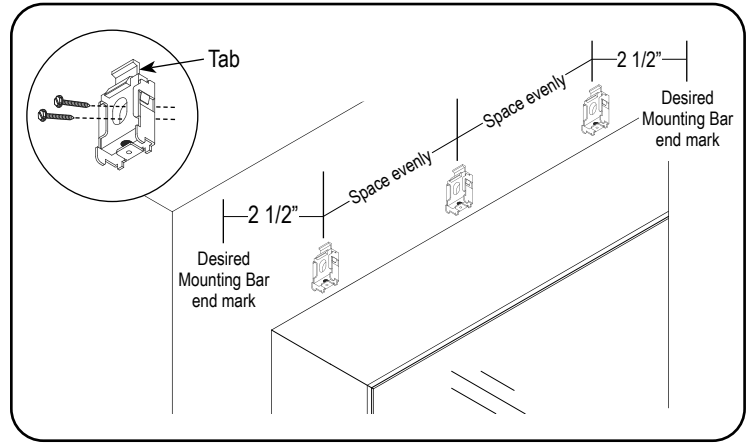
TouchLift with Mounting Bar

Important: Make sure the mounting surface is level. Brackets must be in line and level for shade to operate properly. Shim brackets if necessary.

1. Install the Brackets



Inside mount (IB)



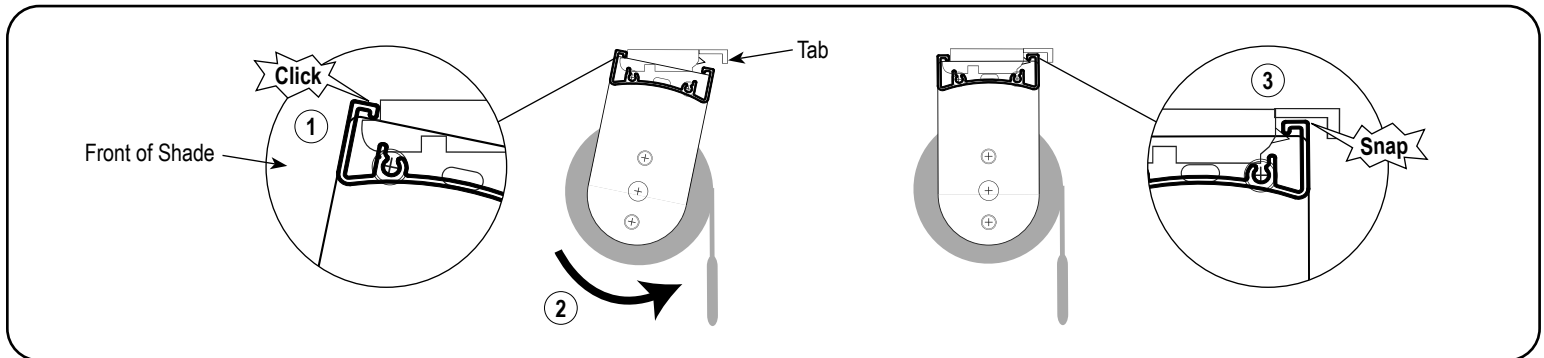
Outside mount (OB)

Inside Mount, install the brackets level and aligned to each other, using the screws provided.

Outside Mount, install the brackets level and aligned to each other, with the plastic tab facing up and approximately 1/2" above the opening on the window frame, window molding, wall, or ceiling using the screws provided.

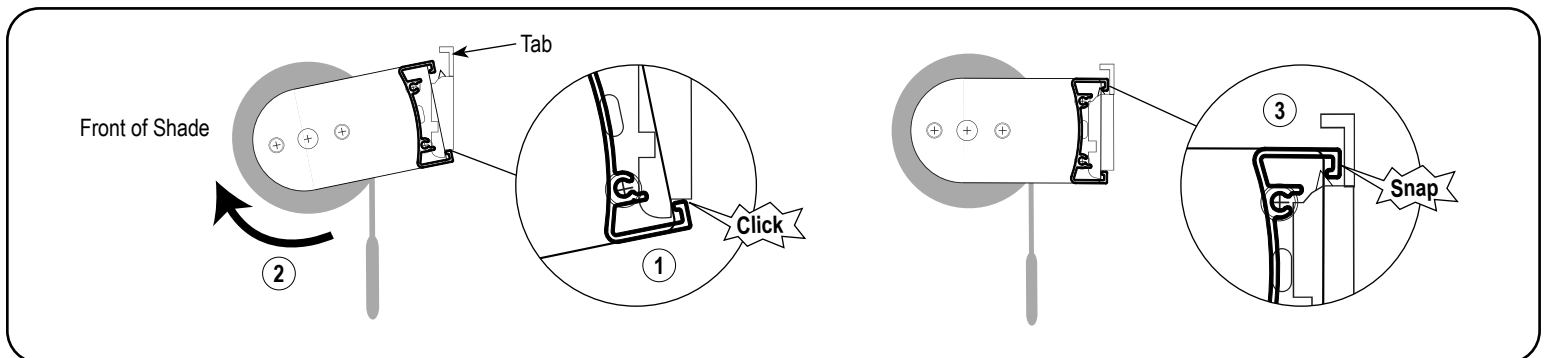
2. Install the Shade

2a. Inside Mount



First, position the mounting bar to engage the ridge into the front lip of all brackets. Then, rotate the shade backwards until the mounting bar engages the bracket(s).

2b. Outside Mount



First, position the mounting bar to engage the ridge into the bottom lip of all brackets. Then, rotate the shade upwards until the mounting bar engages the bracket(s).

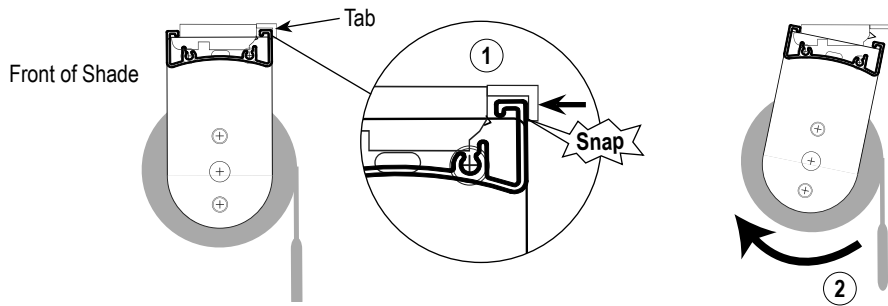
INSTALLATION INSTRUCTIONS

3. Adding Optional top treatment (Fabric Corner or Deluxe valance)

Please refer to *Roller Shades - Skyline Fabric Cornice and Deluxe Valance installation instructions*.

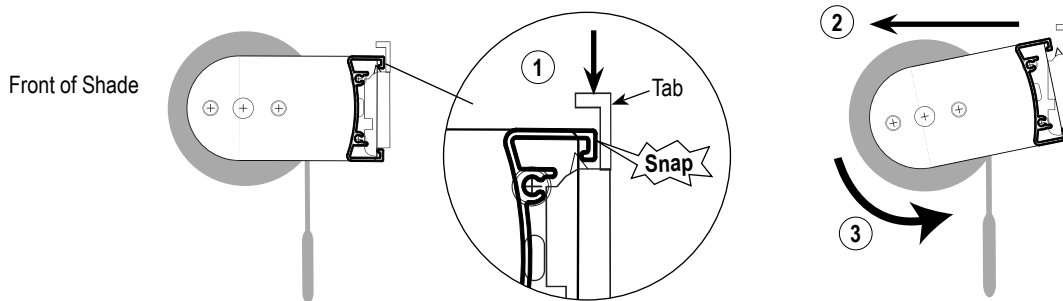
4. Removing the Shade (Only if Necessary)

4a. Inside Mount



First, press the release tab on all the brackets. Then, rotate the shade towards the front until the mounting bar disengages from the bracket(s).

4b. Outside Mount



First, press the release tab on all the brackets. Then, rotate the shade towards the front and downward until the mounting bar disengages from the bracket(s).

Child Safety

Young children can **STRANGLE** in cord loops and in the loop above the cord stop. They can also wrap cords around their necks and **STRANGLE**.

- Always keep cords out of children's reach.
- Move cribs, playpens and other furniture away from cords.
Children can climb furniture to get to cords.
- Do not tie cords together.
- Make sure cords do not twist together and create a loop.

WARNING/ADVERTENCIA	
5.1.3	Rev. 5/18 Print 5/18
	Window Blind Cord Can STRANGLE Your Child. To prevent strangulation, purchase cordless products or products with inaccessible cords.
	La cuerda de la persiana puede ESTRANGULAR a su niño. Para evitar el estrangulamiento, compre alternativas cuerda o productos con cuerdas inaccesibles.

