

1. Install the Brackets — Fabric Cornice

Important: Make sure the mounting surface is level. Brackets must be in line and level for shade to operate properly. Shim brackets if necessary. If attaching keystone, please see **1c. Attach the Keystone** before installing the brackets.

1a. Fabric Cornice — Inside Mount

Flush Mount Depth Requirement: 1 1/2"
Min. Mounting Depth Requirement: 1"

Inside Mount Screws Required	
Width	# of Screws
12" - 28"	3
28 1/8" - 52"	4
52 1/8" - 76"	5
76 1/8" - 100"	6
100 1/8" - 120"	7
120 1/8" - 144"	8

First, center the cornice in desired location. Mark 2" from each jamb for screw location. Mark the mounting surface using a pencil. Then, center the marks in the bracket slots. Space screws evenly, but no more than 24" apart. Finally, drill screw holes. **IMPORTANT:** Use drywall anchors when mounting into drywall. Install the cornice through the slotted angle bracket to the mounting surface with the #8 x 1-1/4" screws provided. **To install shade behind the valance** – refer to *Roller Shades - Skyline Open Roll installation instructions*

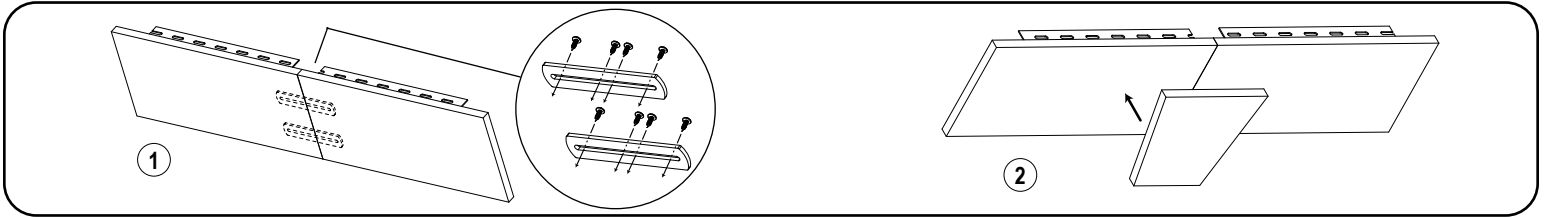
1b. Fabric Cornice — Outside Mount

Inside Mount Screws Required	
Width	# of Screws
12" - 28"	2
28 1/8" - 52"	3
52 1/8" - 76"	4
76 1/8" - 100"	5
100 1/8" - 120"	6
120 1/8" - 144"	7

First, attach the returns to the valance and check the angle on each return. Then, fasten short screws into the valance. Repeat for opposite return. If ordered custom returns under **Fabric Cornice Only (without shade)**, place the 8" bracket on top of the slotted angle next to the return. With the back of the bracket flush with the back edge of the return, mark the cut mark just past the screw hole that lines up with the slotted angle. Then cut the bracket at the mark. Measure distance from top edge of cornice to the first complete hole in the slotted angle. Use that measurement to mark the location for the first bracket at the desired height. Repeat for the opposite bracket. Space brackets evenly, but no more than 24" apart. Install the brackets level and aligned to each other, using the screws provided. Using the bolts and nuts provided, attach the slotted angle on top of the installation brackets. **To install shade behind the valance** – refer to *Roller Shades - Skyline Open Roll installation instructions*.

INSTALLATION INSTRUCTIONS

1c. Attach the Keystone

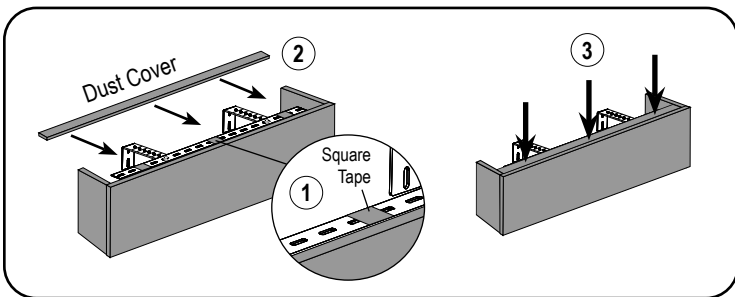


First, place the two or three fabric cornice sections on a straight surface face down and align edge-to-edge. Install splice brackets with provided screws and proceed to step 1. **Install the Brackets.** Once the cornice is installed, attach keystone with provided velcro strips at the center, covering the splice.

2. Install the Dust Cover (Outside Mount Only)

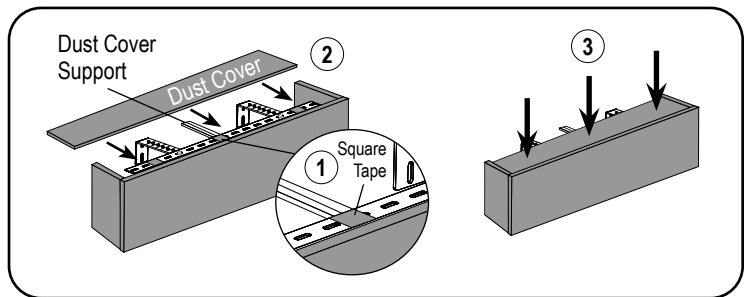
Note: Dust cover only comes with cornice 1-1/2", 4" & 6" return.

2a. 7/8" Dust Cover



First, remove adhesive backing from square tapes and place the square tapes on slotted angle. Then, put the dust cover on top of slotted angle and press it to secure the adhesive.

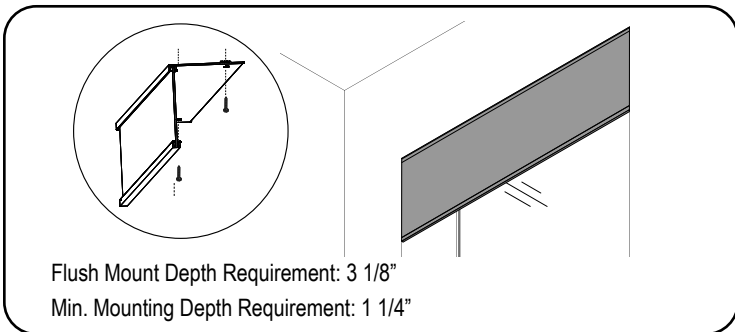
2b. 3 7/8" & 5 7/8" Dust Cover



First, snap the dust cover support onto the slotted angle. Then, remove adhesive backing from square tapes and place the square tapes on slotted angle and brackets. Press the dust cover in place to secure the adhesive.

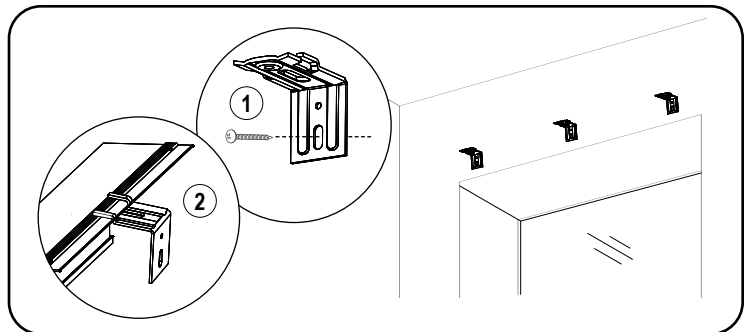
3. Install the Brackets — Deluxe Valance

3a. Deluxe Valance — Inside Mount



First, install the valance and then proceed with shade installation. The valance can be mounted directly to the top of the window frame, drill vertically through the pre-drilled slots. **To install shade behind the valance** – refer to *Roller Shades - Skyline Open Roll installation instructions*.

3b. Deluxe Valance — Outside Mount



First, install the brackets level and aligned to each other, using the screws provided. Then, slide the valance under the clips that are on the top of the installation brackets. **To install shade behind the valance** – refer to *Roller Shades - Skyline Open Roll installation instructions*.

Child Safety

WARNING/ADVERTENCIA	
<small>5.1.3</small>	<small>Rev. 5/18 Print 5/18</small>
	Window Blind Cord Can STRANGLE Your Child. To prevent strangulation, purchase cordless products or products with inaccessible cords.
	La cuerda de la persiana puede ESTRANGULAR a su niño. Para evitar el estrangulamiento, compre alternativas cuerda o productos con cuerdas inaccesibles.



1030884