

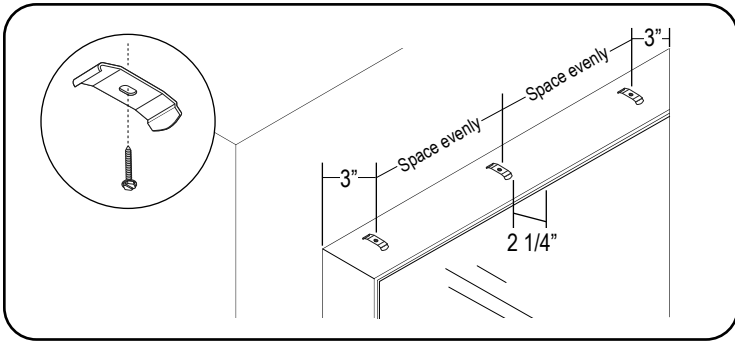
INSTALLATION INSTRUCTIONS

VERTICAL BLINDS

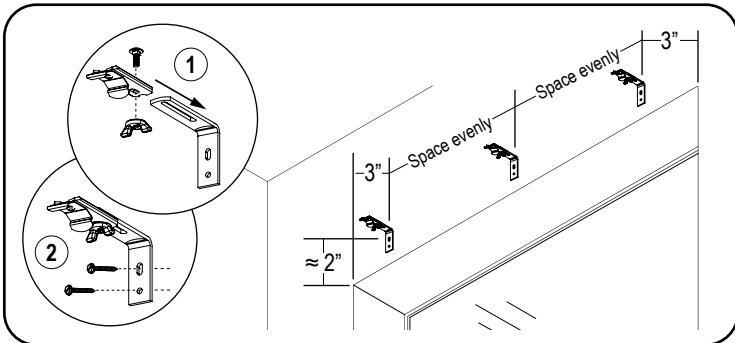
Standard Wand Control | Cord & Chain Control

WARNING: Product is heavy. Mount into wood/metal studs or into concrete with concrete anchors. Drywall anchors are not recommended.

1. Install the Brackets



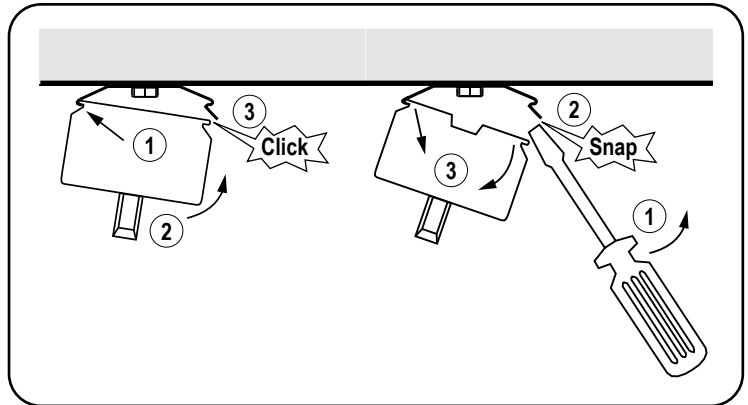
Inside mount (IB), brackets should be minimum of 2 1/4" from the glass or back wall to allow for rotating the vanes. If applicable, mount the valance at the same time (see Install the Round/Square Corner Valance).



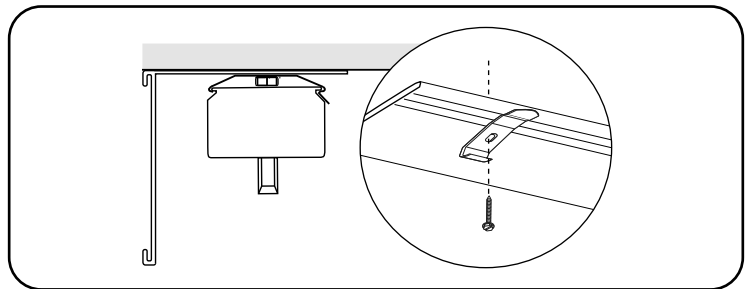
Outside mount (OB), mount brackets 3/4" taller than the height of the blind.

Space Brackets Evenly		Important: Space brackets evenly apart from each other for optimum weight distribution. Uneven distribution may cause issues such as uneven vane alignment and light gaps. Make sure to install headrail on level surface as uneven surfaces may cause alignment issues.
Blind Width	# of Brackets	
Up to 41"	2	
41 1/8" - 81"	3	
81 1/8" - 121"	4	
121 1/8" - 161"	5	
161 1/8" - 192"	6	

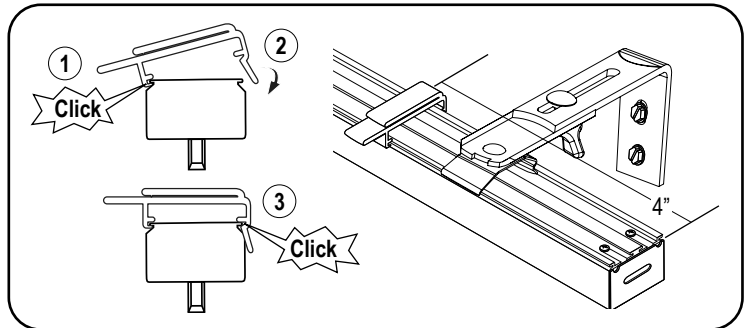
2. Install and Remove the Headrail



3. Install the Square Corner Valance

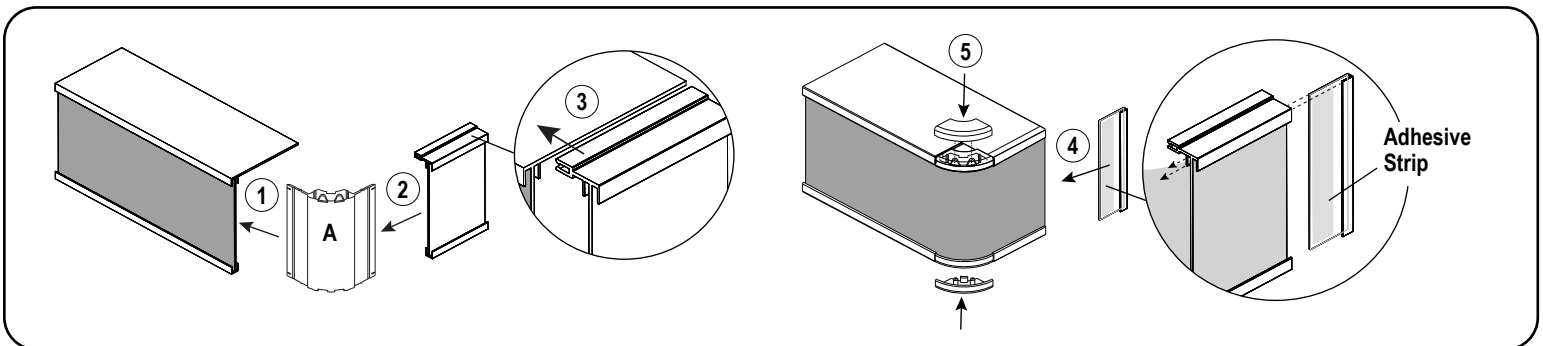


Inside mount (IB)



Outside mount (OB)

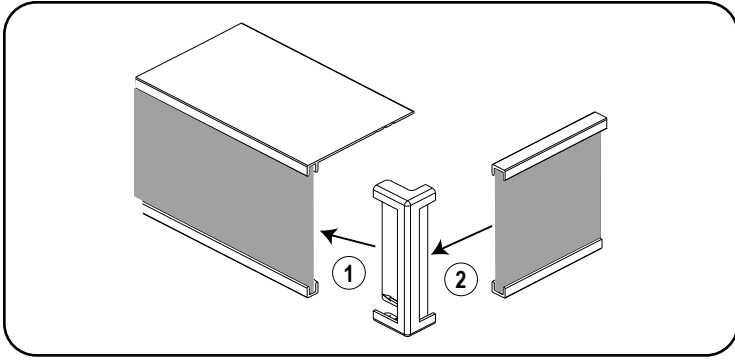
4a. Install the Round Corner Valance Returns



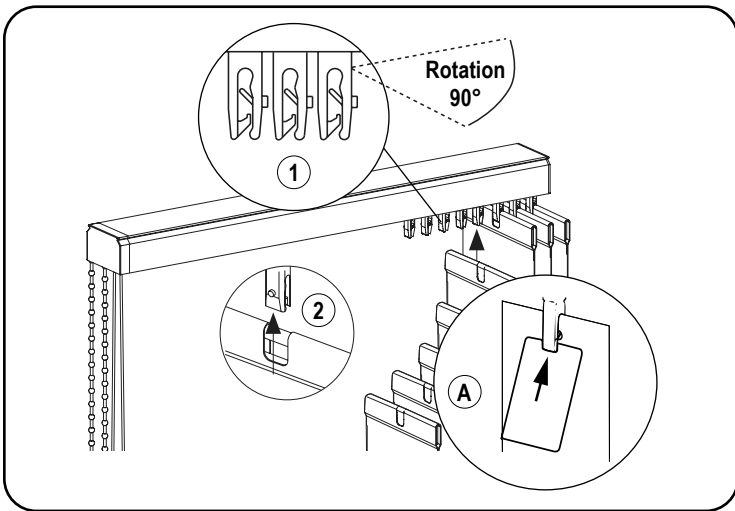
Important: Louver insert will arrive pre-inserted. Valance Corner Round (A) will also arrive pre-attached on Fabric Valance (skip step 1). Use the Material Gripper to prevent the PVC Louver from flaring out. Attach the Material Gripper to the end of the return and secure by pressing the adhesive strip into place.

INSTALLATION INSTRUCTIONS

4b. Install the Square Corner Valance Returns

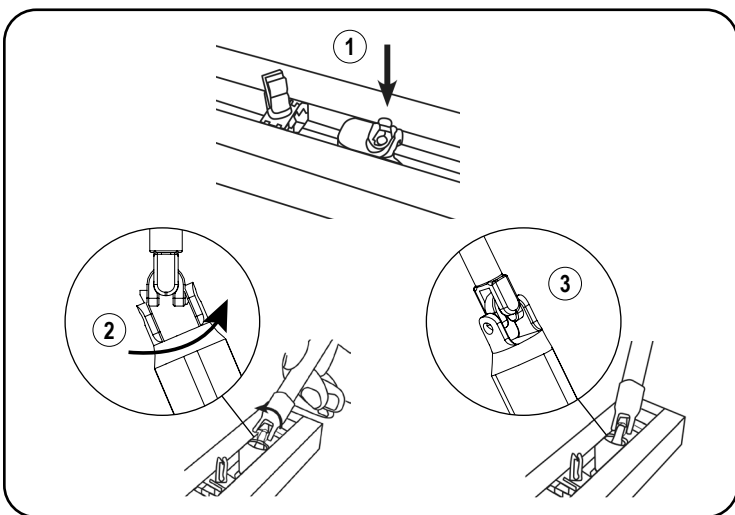


5. Install the Vanes



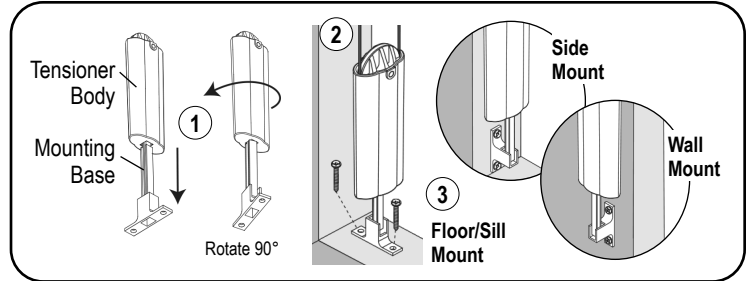
First, rotate stem to the open position. Then, insert slotted end of the vanes into the stem and gently pull down to ensure the vane on the hook. Remove the vanes by inserting a card between the vanes and the hook (A).

6. Attach the Wand Control



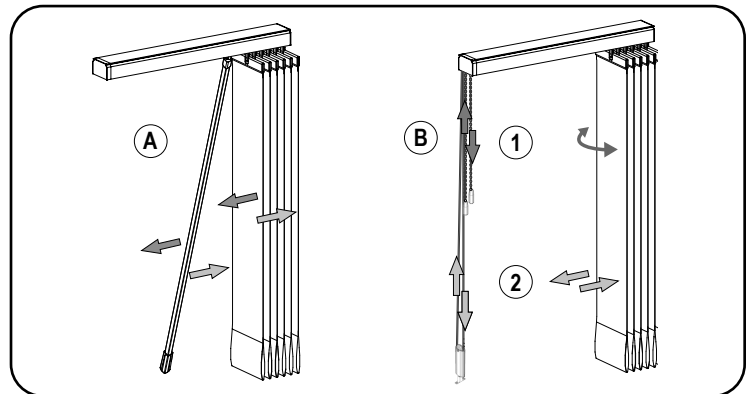
(1) Press the link down into the traversing wand gear to fix in place. Then (2), assemble the wand to the link. Finally (3), release the link by pulling upwards.
Note: Holes on top of wand must engage with pegs on the link.

7. Install the Cord Tensioner (optional)



Pull mounting base (1) all the way out and rotate the base until the correct installation position is achieved. Rotate the body 90 degrees to lock it into place. Pull tension device down until the chain is taut on both sides (2), make sure the cord can move freely. Mark the screw holes and install the device with the screws provided (3). **IMPORTANT:** If wall anchors are required, first tap the anchors into the pre-drilled holes.

Control Operation



IMPORTANT: Vanes must be in the open position to traverse as shown in illustration.

A. Wand Control (standard):

A single wand is attached to the lead carrier. Operate the blind by twisting the wand to rotate the vanes open and closed. Pull the wand across the headrail/track to traverse the vanes.

IMPORTANT: When traversing the wand, do not tilt the wand up and away from the blind as this may cause the wand to disengage from the wand gear. If the wand disengages, simply follow the steps in "Attach the Wand Control" to re-attach. For best results, operate the wand perpendicular to the headrail and push or pull the wand across to the left or right.

B. Cord & Chain Control (optional):

Pull the chain tassels (1) to rotate the vanes open and closed. Locate and pull the cords (2) to traverse the vanes across the headrail/track. Stacking will vary depending on the draw of the vertical (i.e. split draw, one way right, one way left).

Child Safety

