

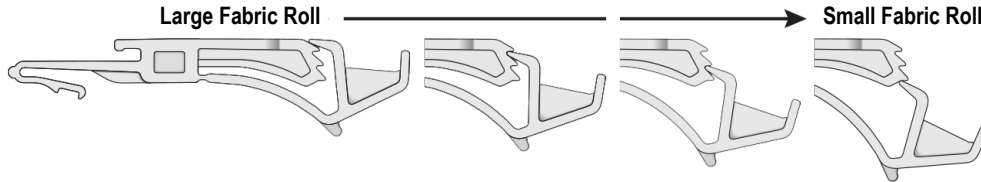
# INSTALLATION INSTRUCTIONS

# SHEER SHADINGS

Continuous Cord Loop | Cordless Lift | Retractable Cord | Automated

**IMPORTANT for Automated Shades** — Prior to installation, pair the remote to the motor using the instructions included with the remote. For Automated DC Motors that require an external power source, such as an external battery, be sure to connect the motor to a power source before attempting operation. See instructions that accompany the power source for installation requirements. For motors with internal Li-Ion batteries, charge per directions that come with the motor and/or charger.

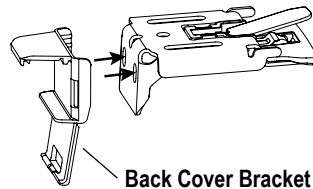
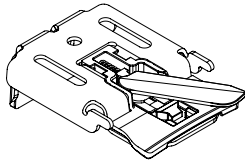
## Importance of Limit Stops



Limit stops serve as the upper travel limit for the bottom rail, preventing it from rotating around the fabric roll. Limit stops are located 6" from the ends of the headrail or are centered on shadings less than 36" wide.

When a shading is made, the limit stops are adjusted according to the size of the fabric roll. Occasionally, this adjustment changes during shipping or installation. If this happens, problems can be fixed by readjusting the limit stops. See the Troubleshooting section if shading operation is difficult or if the bottom rail rotates around the fabric roll. Shown above are the four possible positions of limit stops for large to small fabric rolls.

## 1. Prepare the Installation Brackets

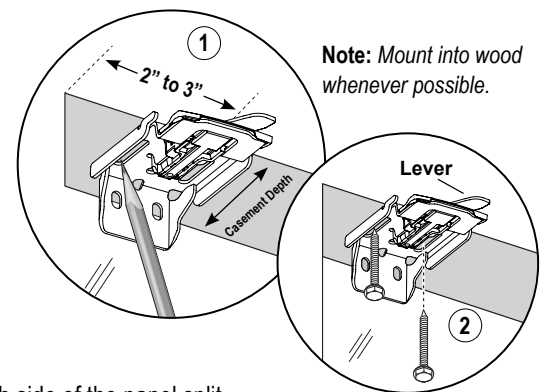
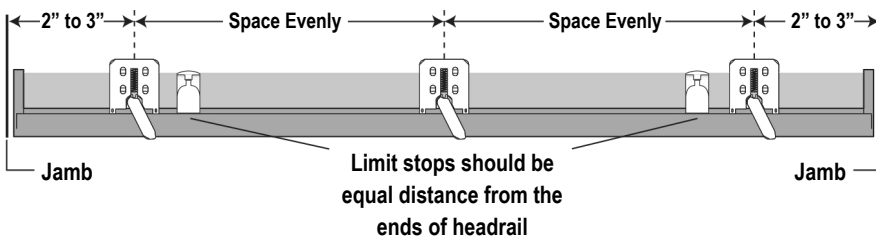


Back Cover Bracket

Shade Width	Brackets
14" to 36"	2
36-1/8" to 79"	3
79-1/8" to 96"	4
96 1/8" - 120"	5

**If using the optional back cover:** Snap the prongs on the back cover brackets into the holes on the back of the installation brackets. The back cover is used with inside mounts to conceal the open rear side of the headrail for a more pleasing exterior look. Use of the back cover adds 1/4" to minimum inside mounting.

## 2a. Mount the Brackets — Inside Mount



**IMPORTANT:** Mounting the brackets level is essential for proper operation of the shade.

**WARNING:** Failure to properly align the brackets could result in the headrail releasing from the brackets.

**Two-On-One Headrail Shadings:** Two additional installation brackets should be placed on each side of the panel split.

The minimum casement depth for installation brackets is 1". Mark and use the rear set of installation bracket holes with shallow mounting depths.

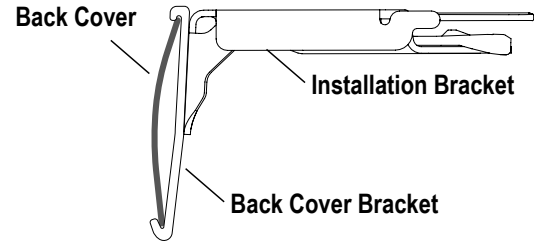
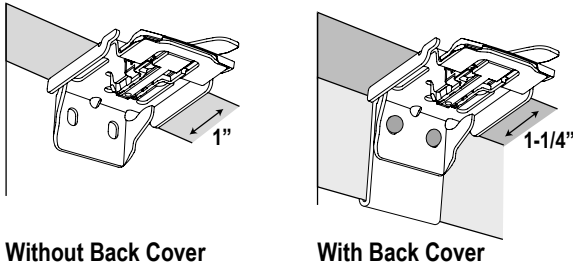
The minimum casement depth for a fully recessed mount is 3-3/8". Mark and use the front set of bracket holes when depth permits.

**Note:** Add 1/4" to the minimum depths if using the optional back cover. After installing the brackets, see **2b. Install the Back Cover**.

# INSTALLATION INSTRUCTIONS

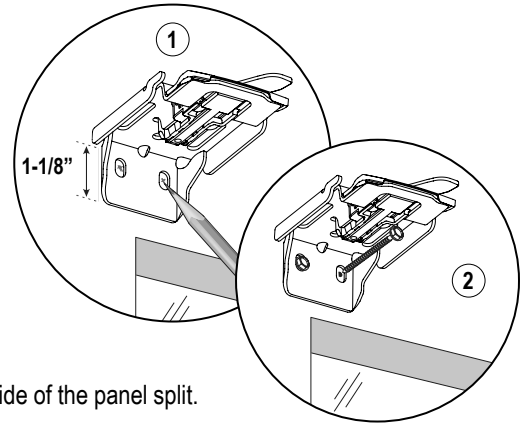
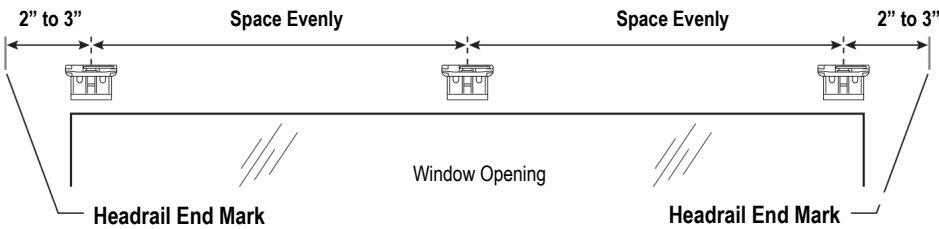
## 2b. Install the Back Cover (Optional for Inside Mount and End Mount)

### Minimum Inside Mounting Depth



The back cover is secured in place by the back cover bracket attached to the installation bracket. Back covers are used with inside and end mounts to conceal the open rear side of the headrail for a more pleasing exterior look. Use of the back cover adds 1/4" to minimum inside mounting.

## 3a. Mount the Brackets — Outside Mount

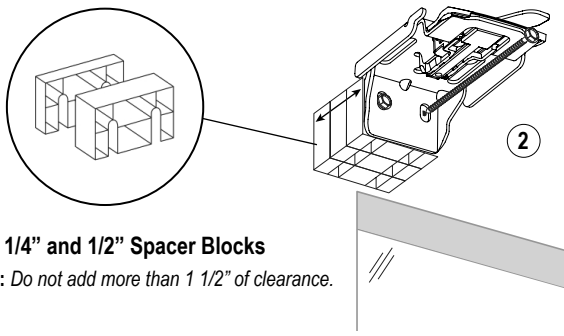
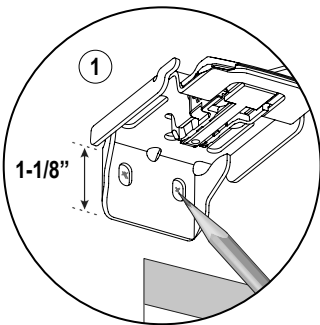


**IMPORTANT:** The tops of the installation brackets or extension brackets should be at the desired height.

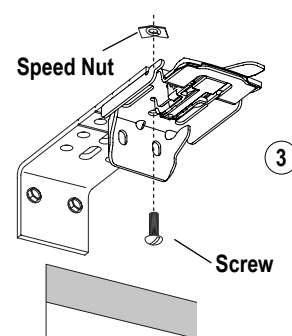
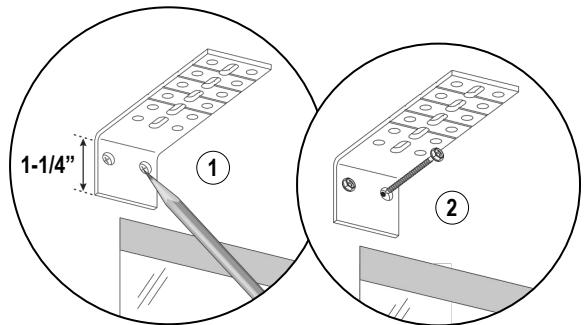
**Two-On-One Headrail Shadings:** Two additional installation brackets should be placed on each side of the panel split.

A minimum 1-1/8" flat vertical surface is required for the installation brackets. Extension brackets require 1-1/4".

## 3b. Using Spacer Blocks

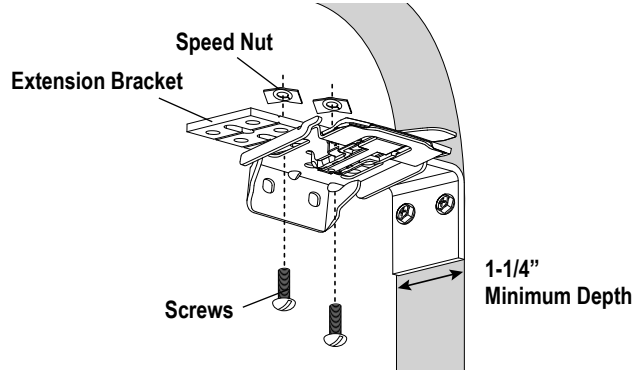


## 3c. Using Extension Brackets



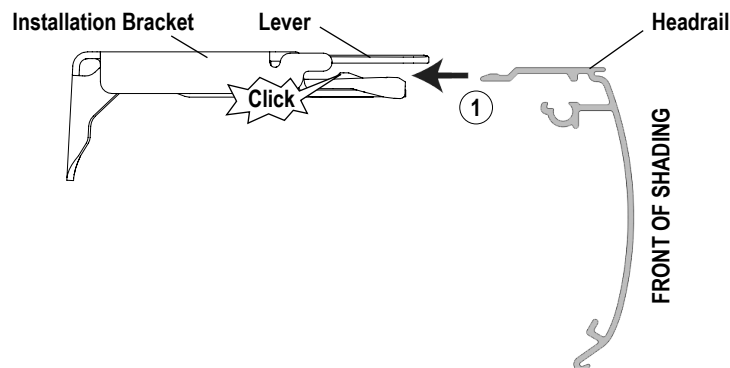
# INSTALLATION INSTRUCTIONS

## 4. Mount the Brackets — End Mount



**Note:** Add 1/4" to the minimum depths if using the optional back cover. After installing the brackets, see 2b. Install the Back Cover.

## 5. Install the Shadings

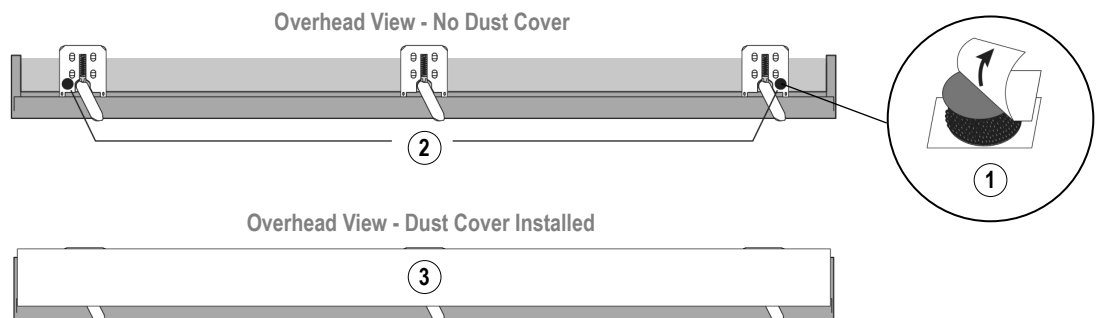


(1) Slide the headrail into the installation brackets so the edge of the headrail is between the lever and the bracket, as shown. Firmly push the headrail into each bracket until it clicks and the lever snaps to the right side of the bracket. Once installed, completely remove the protective covering from the headrail.

**IMPORTANT:** Carefully pull on the headrail at each bracket to ensure it is installed securely.

## 6. Attach the Dust Cover

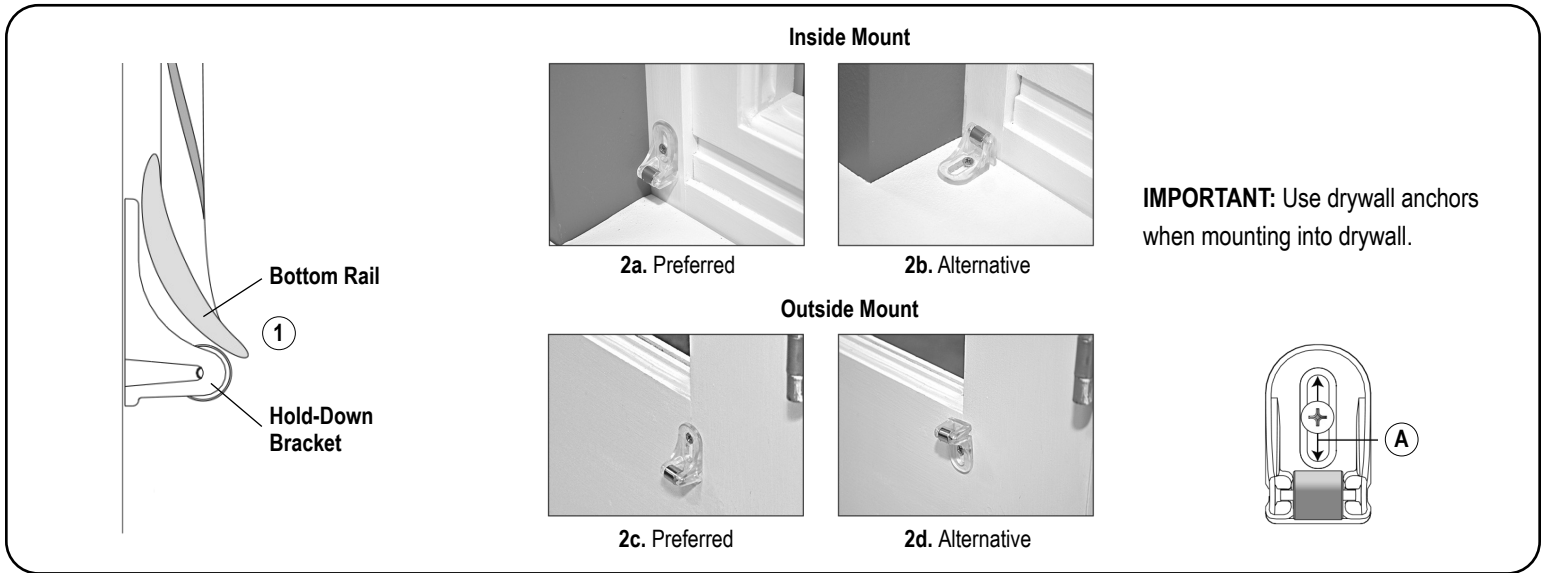
The dust cover is used to protect the top of the headrail from exposure to dust on outside mounted shadings.



First, cut the dust cover to the desired width. (1) Remove the paper backing on one side of the hook and loop fastener dots. (2) Apply the dots to the installation brackets on each end of the shading. Remove the remainder backing from the dots and (3) center the dust cover over the top of the shading, above the previously placed dots. Press the dust cover down onto the dots to secure.

# INSTALLATION INSTRUCTIONS

## 7. Attach the Magnetic Hold-Down Bracket (Optional)

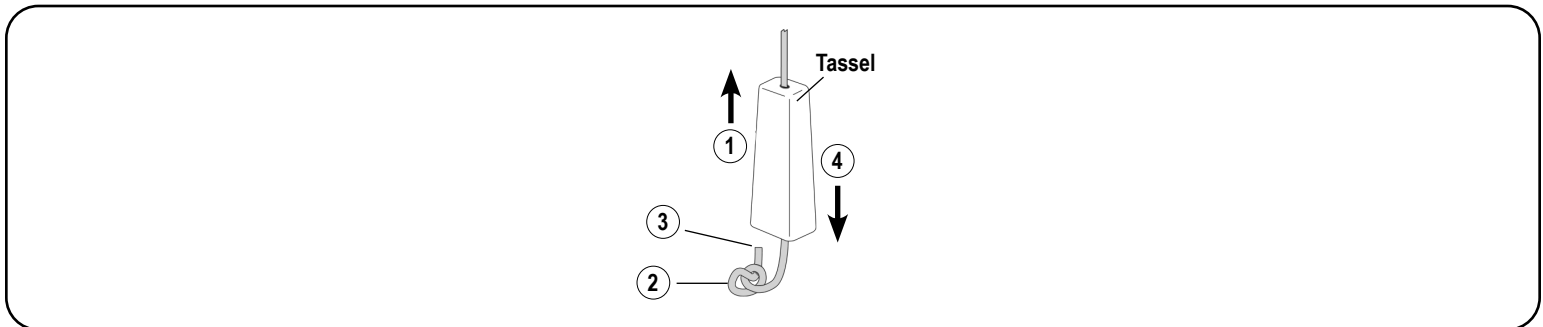


**IMPORTANT:** Use drywall anchors when mounting into drywall.

First, lower the shading, keeping the vanes closed. (1) Place the magnetic hold-down bracket onto the bottom rail just inside the end cap. Hold the bracket while opening and closing the vanes and adjust the bracket to the best overall position. Mark the screw location using the mounting options (2a, 2b, 2c, 2d). Attach the hold-down brackets using the screws provided, the screw should be placed in the middle of the channel to allow for adjustment.

**Note:** If necessary, (A) adjust bracket height by loosening the screw and sliding the bracket up or down.

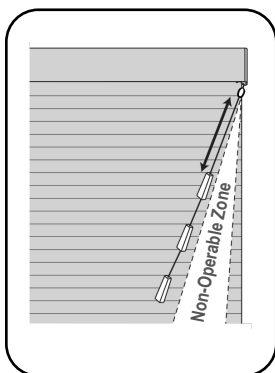
## 8a. Retractable Cord — Tassel Adjustment (Optional)



**Note:** Adjusting the tassel to eye level will decrease the amount of pulls needed to raise and lower the shading. This will also enhance child safety.

The tassel cord length is usually two-thirds the length of the fully closed shading. (1) Slide the tassel up the cord revealing the knot. (2) Make a new knot below the tassel at the desired location. (3) Trim the excess cord below the knot. (4) Slide the tassel back down over the knot.

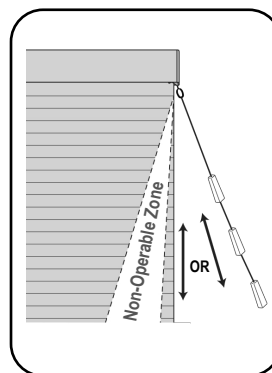
## 8b. Operate the Retractable Cord (Optional)



### To Lower the Shading and Open the Vanes

- Pull the cord **down toward the center** of the shading with long strokes.
- Allow the cord to retract completely into the headrail after each downward stroke.
- Continue until the shading is fully lowered and the vanes are open

**Note:** The shading can be stopped at any point while lowering by moving the cord back toward the vertical position.



### To Close the Vanes and Raise the Shading

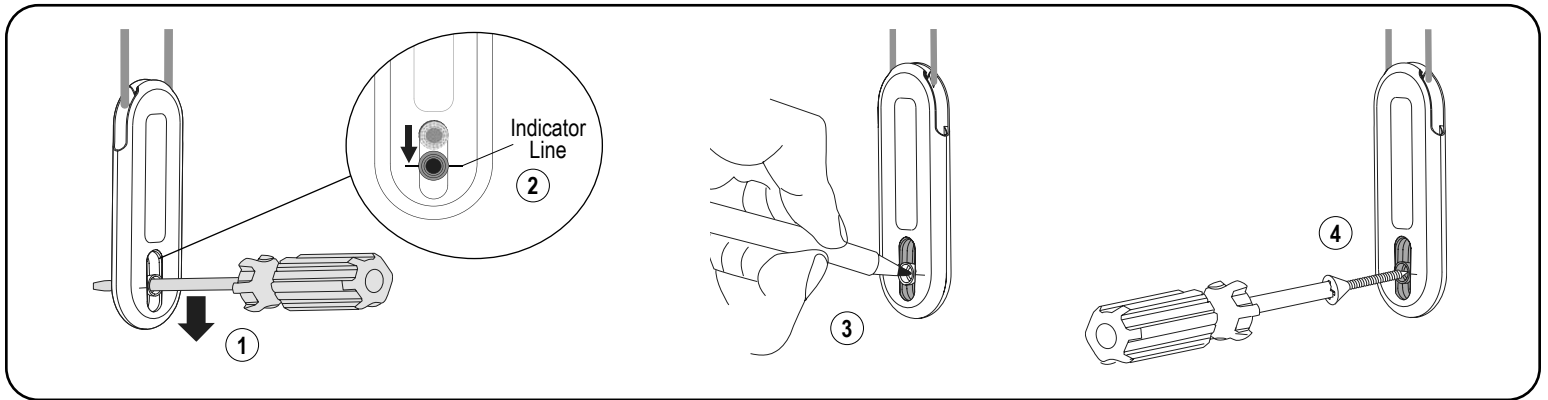
- Pull the cord **straight down or down and slightly out** with long strokes. With each stroke the shading partially raises.
- Allow the cord to retract completely into the headrail after each downward stroke.
- Use multiple strokes until the shading reaches the desired position.

**Note:** The shading can be stopped at any point while raising.

4 **IMPORTANT:** Please note that shading must be completely lowered for vanes to open. Vanes will remain closed when shading is in any raised position.

# INSTALLATION INSTRUCTIONS

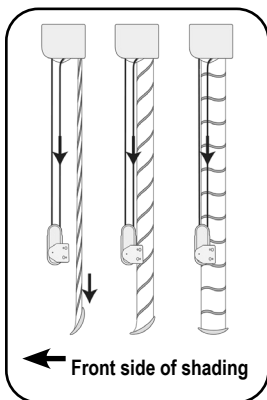
## 9a. Install the Cord Loop Tensioner (Optional)



Before you begin, you **must** slide the cord tensioner to the bottom of the cord loop. (1) Insert a small screwdriver, punch, or awl through the screw hole at the bottom of the cord tensioner. (2) Pull the screw hole down, releasing the safety mechanism, so that the center aligns with the indicator line. (3) Slide the cord tensioner down to the bottom of the cord loop, then mark and pre-drill the screw holes. (4) Secure the cord tensioner with the screw provided. **Important:** Do Not Over-Tighten.

**Note:** If the cord does not move freely through the cord tensioner, it is too tight and the cord tensioner and/or mount bracket should be moved up. If the cord tensioner locks onto the cord, it is too loose and the cord tensioner and/or mount bracket should be moved down.

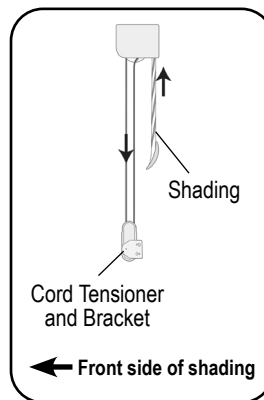
## 9b. Operate the Cord Loop Shading (Optional)



### Lower the Shading and Open the Vanes

- Pull the rear cord of the cord loop to lower the shading.
- With the shading fully lowered, continue to pull the rear cord to tilt the bottom rail and open the vanes.

**Note:** If the cord tensioner moves up the cord, you have not secured it to the wall or window frame. You must do so for the shading to operate properly.



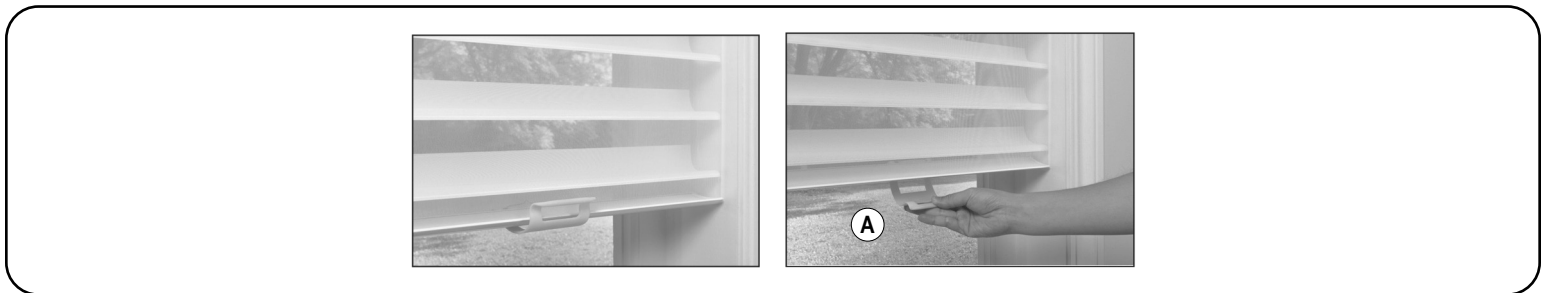
### Raise the Shading and Close the Vanes

- Pull the front cord of the cord loop to raise the shading.

**Note:** If the shading raises or lowers unevenly, the fabric rubs against one end of the headrail, or the bottom rail is uneven when fully raised, the bottom rail weight needs to be adjusted. See the Troubleshooting section.

**IMPORTANT:** Please note that shading must be completely lowered for vanes to open. Vanes will remain closed when shading is in any raised position.

## 10. Operate the Cordless Lift-Handle (Optional)



**Lower the Shading:** With your thumb on the front of the handle and fingers on the back (A), gently pull down. The handle will retract when released.

**Open the Vanes:** Lower the shading all the way down and continue pulling down on the handle until the vanes open.

**To Close the Vanes and Raise the Shading:** Pull down on the handle slightly (about 1") and release the handle. The vanes will close first and then the shading will retract into the headrail.

**Note:** With inside mounted shadings, you may need to pull the bottom rail away from the window to release the locking mechanism.

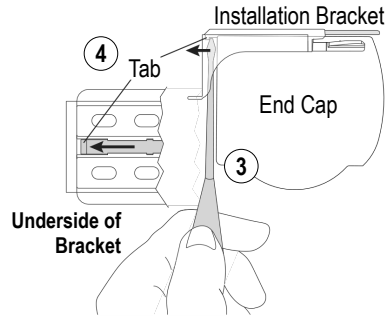
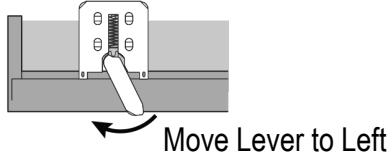
**IMPORTANT:** To reposition the shading, it must be raised several inches first to reset the mechanism and then pulled down to the new position.

**IMPORTANT:** Please note that shading must be completely lowered for vanes to open. Vanes will remain closed when shading is in any raised position.

# INSTALLATION INSTRUCTIONS

## Remove the Shade — Only if Necessary

### Top View



(1) Fully raise the shading. (2) Move each lever of the installation brackets to the left to release the shading. A flat blade screwdriver can be used to move the lever.

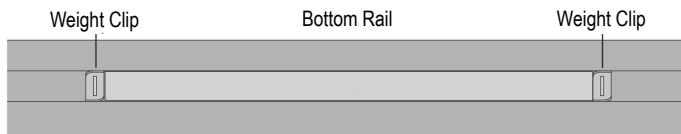
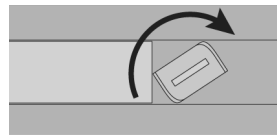
**CAUTION:** Be careful not to tear or damage the fabric.

If the is inaccessible or inoperable, lower the shading until you can see the underside of the bracket. (3) Carefully reach a small flat blade screwdriver behind the shading to the tab on bottom of the bracket between the screw holes. Push the tab (4) away from the shading and pull the headrail to release it from the bracket. (5) Carefully pull the shading to remove it from the bracket.

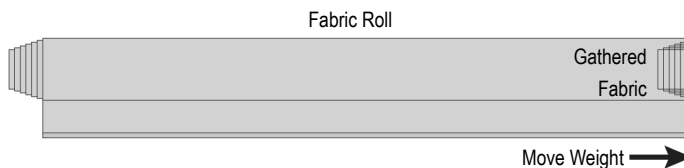
## Troubleshooting

**THE SHADING RAISES OR LOWERS UNEVENLY, THE FABRIC RUBS AGAINST ONE END OF THE HEADRAIL, OR THE BOTTOM RAIL IS UNEVEN WHEN FULLY RAISED.**

- Check that the window is square by measuring the diagonals.
- Check that the installation brackets are level. Shim to level, if necessary.
- Adjust the bottom rail weight. See below:
  - Release the weight clips by inserting a flat blade screwdriver into the weight clip and turning clockwise.



- Move the weight in 1" increments toward the side where the fabric is gathering.



- Secure the weight clips in position by turning them counterclockwise after making the adjustment.
- Test and, if necessary, adjust again.

# INSTALLATION INSTRUCTIONS

## Troubleshooting (Con't)

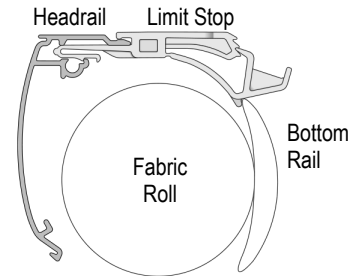
### THE SHADING WILL NOT SNAP INTO THE INSTALLATION BRACKETS.

- Check that the installation brackets are aligned and level.
- Check that the locking tab on the installation bracket slides over the headrail.

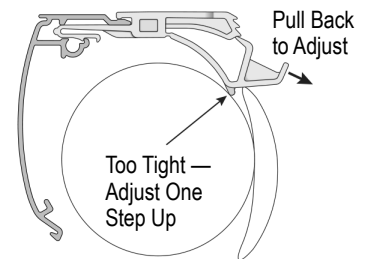
### THE BOTTOM RAIL DOES NOT STOP AT THE TOP LIMIT.

Check the adjustment position of both limit stops. The top illustration shows the correct adjustment.

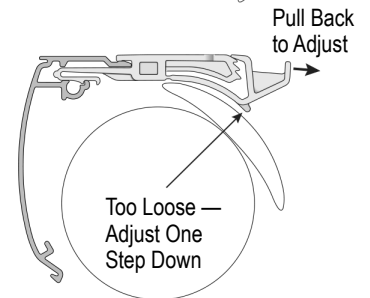
The limit stop catches the bottom rail, and the bottom of the limit stop is slightly above or barely touching the fabric roll.



In the second illustration, the limit stop adjustment is too tight. The fabric may not drop freely and could even be damaged when the shading is raised. To correct this, the limit stop should be adjusted one step up. Simply pull back on the rear of the limit stop to adjust its position.



In the bottom illustration, the adjustment is too loose. The bottom rail can slip under the limit stop. If the bottom rail rotates through the headrail, it must be backed out before adjusting the limit stop.



**IMPORTANT:** Both limit stops must be adjusted to the same position or else skewing may occur.

### THE SHADING IS HARD TO RAISE OR LOWER, OR WILL NOT RAISE OR LOWER.

- Shadings cannot be forced into tight inside mount window openings. If an inside mount, check that the shading is installed correctly. Make sure there is clearance between the ends of the shading and the window casement.
- Check that the installation brackets are level. Shim to level, if necessary.
- Check that the shading fabric is not catching on any brackets or window components.

### VANES DO NOT ALIGN ON SIDE-BY-SIDE SHADINGS.

- Vane alignment is only guaranteed within 1/4" when shadings are ordered at the same time, at the same height, with the same color and fabric, and when specified on the order form.
- Check that the windows are square and the same height.

### AUTOMATED SHADES — MOTOR IS NOT RESPONDING.

#### 1. Battery in motor is depleted.

- Recharge with compatible AC adapter.

#### 2. Remote battery is discharged.

- Replace battery.

#### 3. Battery is inserted incorrectly into remote.

- Check battery polarity.

#### 4. Radio interference/shielding.

- Ensure remote is positioned away from metal objects and the aerial wire on motor or receiver is kept straight and away from metal.

#### 5. Receiver distance is too far from remote.

- Move remote to a closer position.

#### 6. Power failure.

- Check power supply to motor is connected and active.

#### 7. Incorrect Wiring.

- Check the wiring is connected correctly (refer to motor programming instructions).

# INSTALLATION INSTRUCTIONS

## Care and Cleaning

Sheer Shades are made of the highest quality materials for extended wear. If it is not damaged or exposed to a great deal of direct sunlight, it is not unrealistic to expect years of enjoyment with minimal care. Raising and lowering shades periodically helps reduce most natural dust accumulation.

**Dusting:** Regular light dusting with a feather duster is all the cleaning that is needed in most circumstances.

**Vacuuming:** Use the soft brush head of the vacuum cleaner on low setting for a more thorough dust removal.

### Spot Cleaning:

- Prepare a solution of lukewarm water and mild detergent if needed.
- Dampen a clean cloth or towel in the solution and wring thoroughly.
- Dab the spot with the dampened cloth until spot is removed. Do not rub or soak the fabric.
- Do not spot-clean anything other than the fabric covered headrail on sheer shadings.
- Allow the shade to dry in completely lowered position.
- ***Spot-cleaning may result in cleaner areas than the rest of the shading.***

Sheer shadings are made of 100% polyester, which means they are inherently durable and resilient. However, care must be taken to avoid wrinkling the fabric, particularly where the vanes meet the facings.

### Fabric Covered Headrail

- Spot-clean the headrail using a sponge or delicate cloth, cool distilled water and a mild soap solution; handle with care as you would any fine fabric.

### Forced Air

- Blow away dirt and debris between the vanes using clean compressed air.

### Ultrasonic Cleaning and Light Dimming fabrics

- Sheer shadings can be ultrasonically cleaned by a professional, with the exception of the of the Light Dimming fabrics.
- Specify that a mild detergent solution be used.
- Never immerse the headrail in the solution.
- Dry the shading completely in the lowered position.

### Injection/Extraction

- Sheer shadings can be professionally cleaned using the injection/extraction method.
- Use only the dry method of injection/extraction on Light Dimming fabrics.
- Never immerse the headrail in the solution.

### Electrostatic Cleaning

- **DO NOT** use electrostatic cleaning wipes on any sheer shadings.

### A NOTE ABOUT FABRICS

As with all textiles, Sheer Shading fabrics are subject to some variations. Slight wrinkling, puckering, or bowing is inherent to this textile product and should be considered normal, acceptable quality. These characteristics are not usually visible from the front or rear but may be visible from a side angle. Precautions should be taken to reduce exposure to harsh environmental elements, such as salt air. Continuous exposure through open windows and doors will accelerate the fabric deterioration.

## Child Safety

<b>WARNING/ADVERTENCIA</b>	
<small>5.1.3</small>	<small>Rev. 5/18 Print 5/18</small>
	Window Blind Cord Can <b>STRANGLE</b> Your Child. To prevent strangulation, purchase cordless products or products with inaccessible cords. La cuerda de la persiana puede <b>ESTRANGULAR</b> a su niño. Para evitar el estrangulamiento, compre alternativas cuerda o productos con cuerdas inaccesibles.



1022139